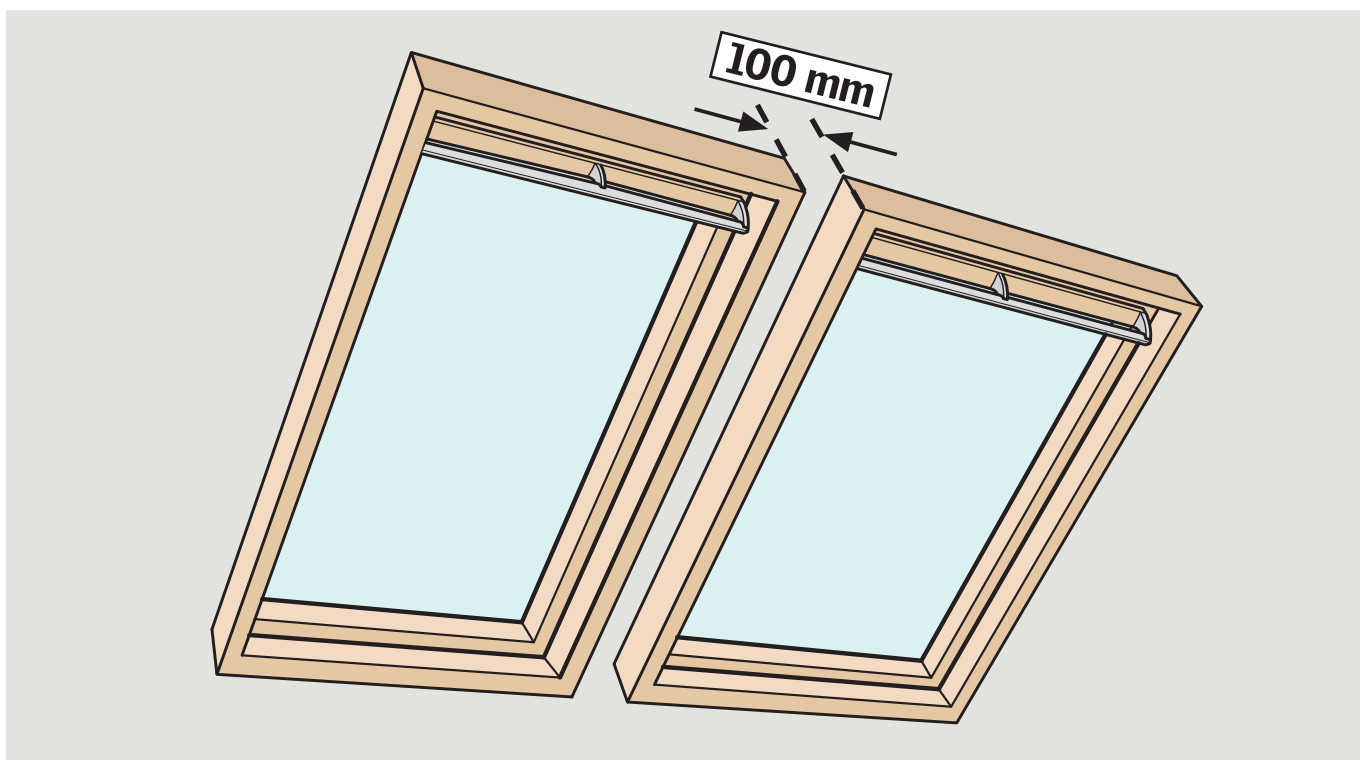
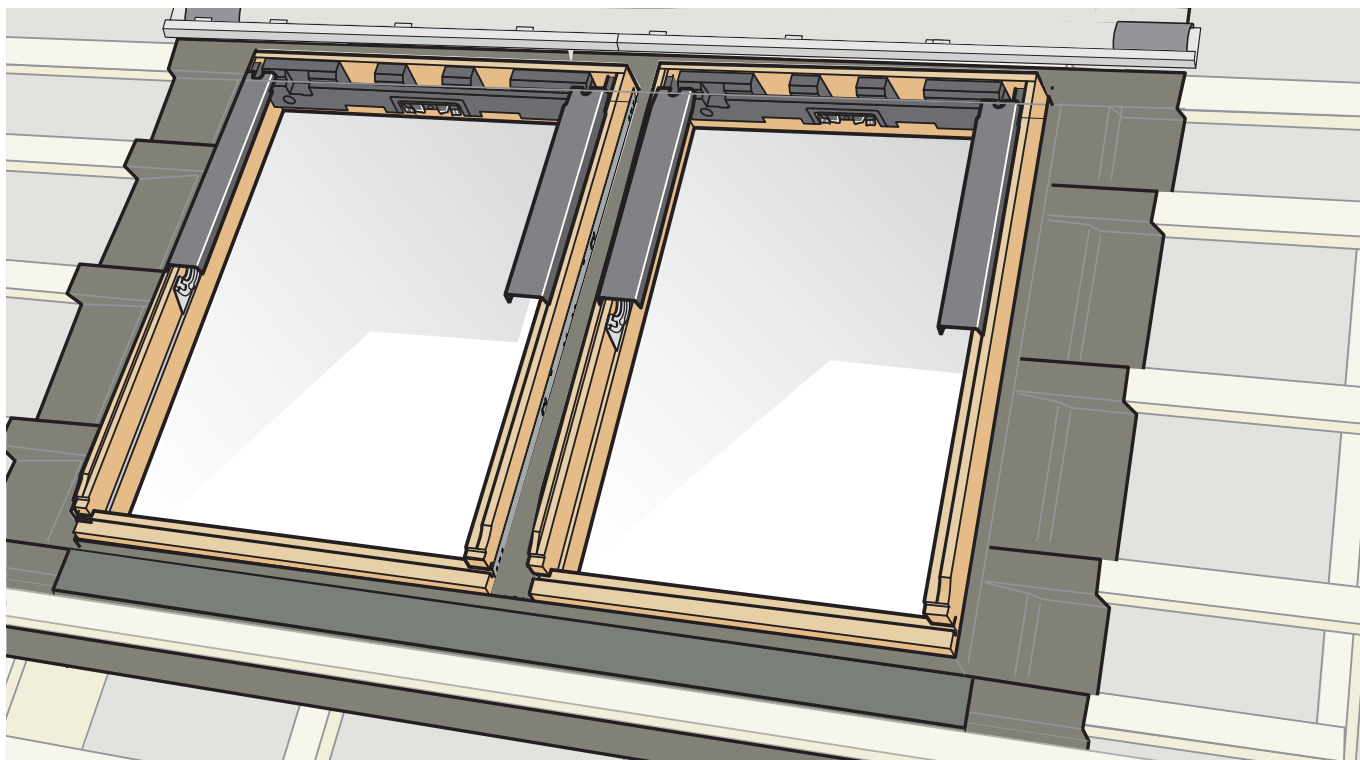
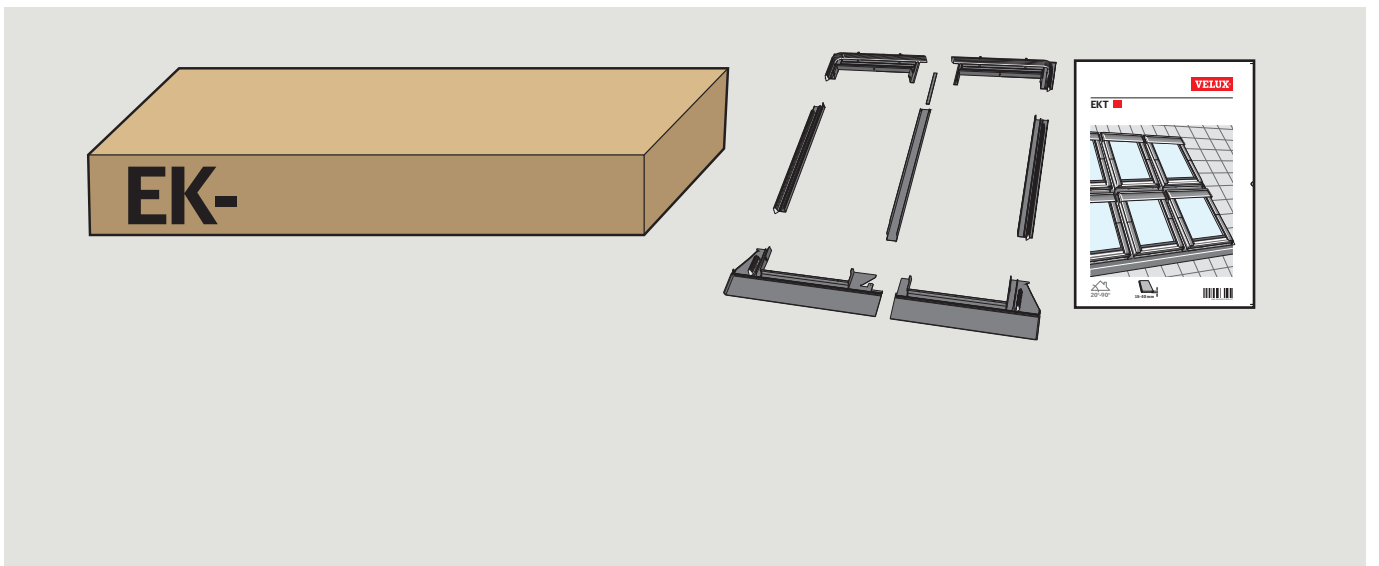
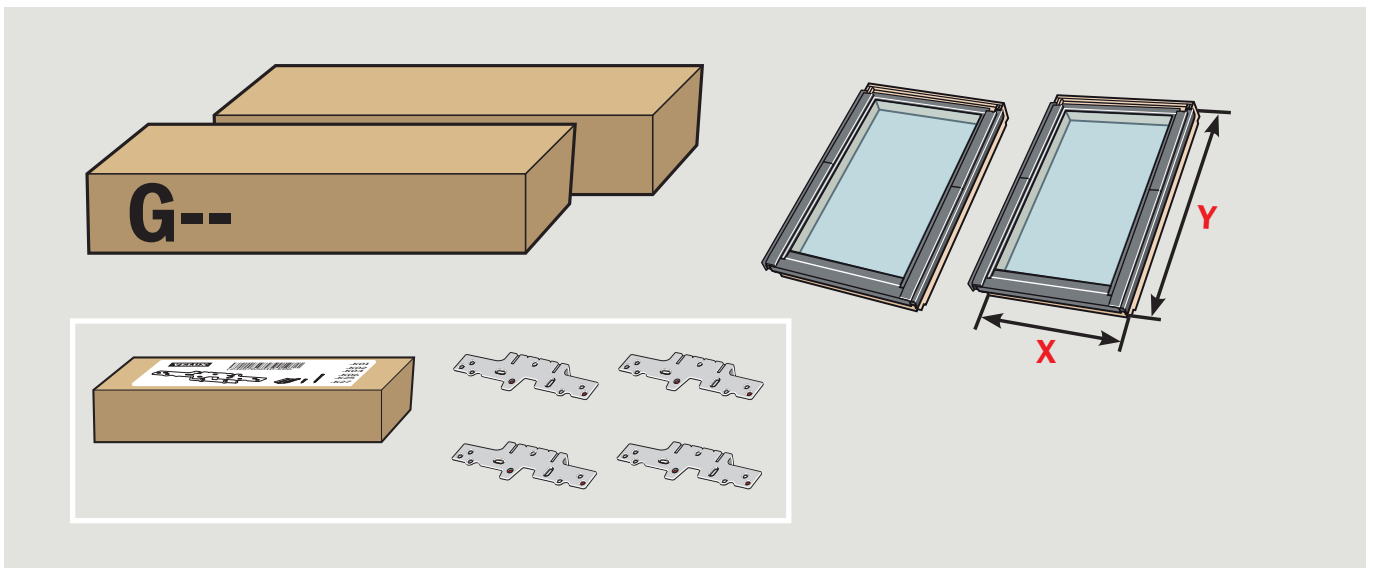
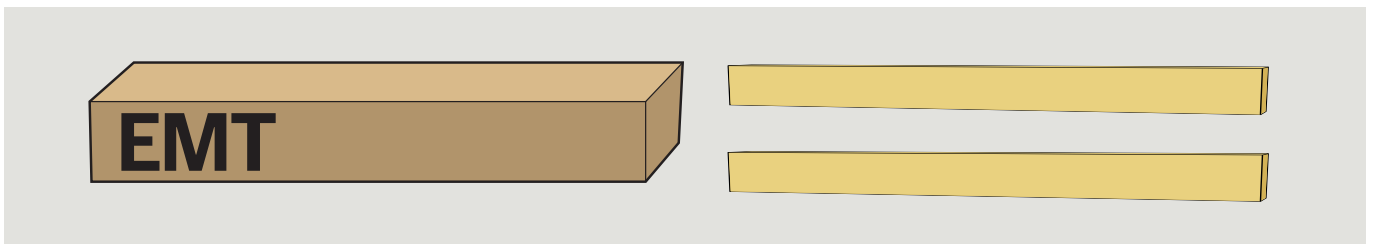
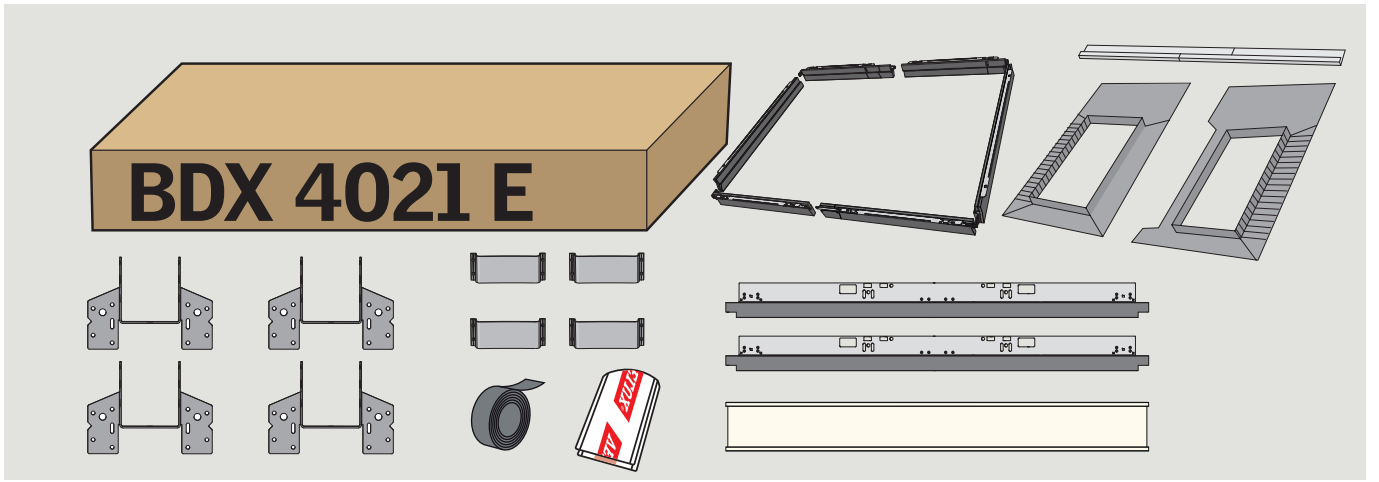
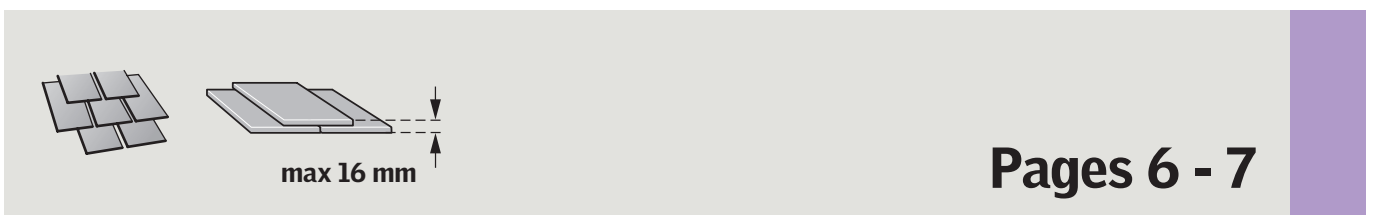
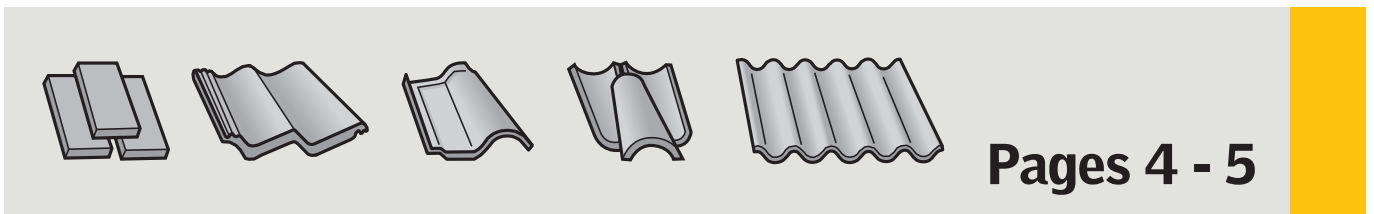
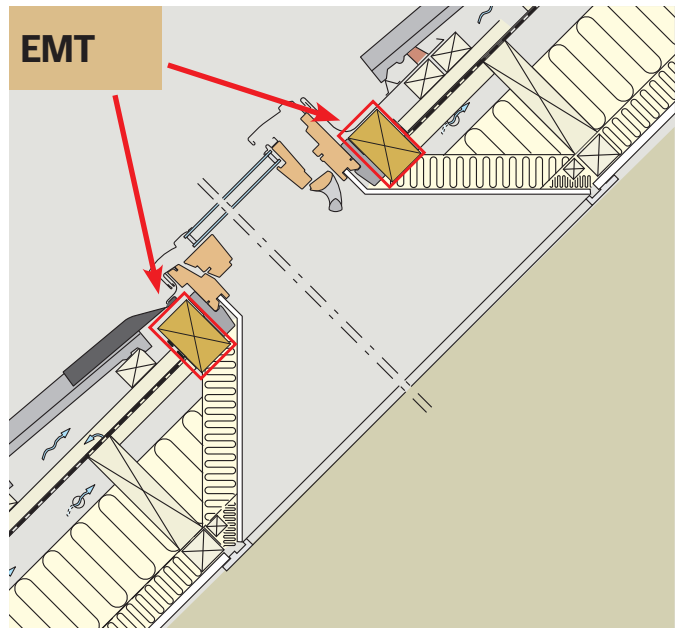
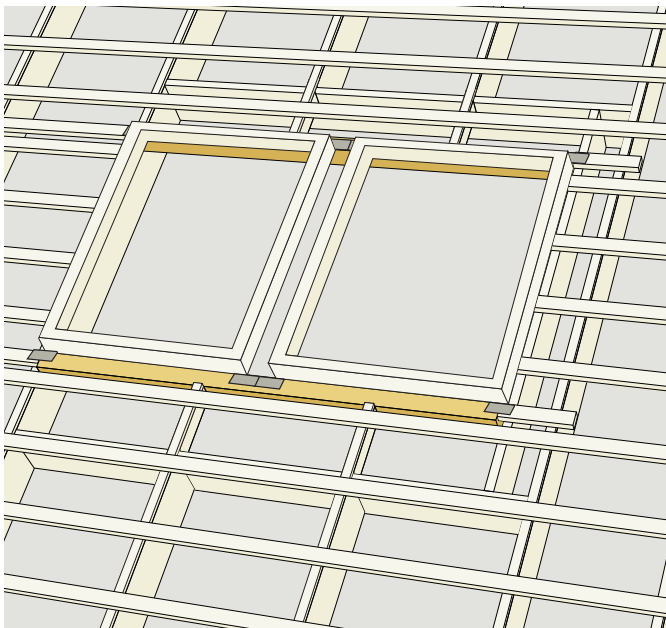
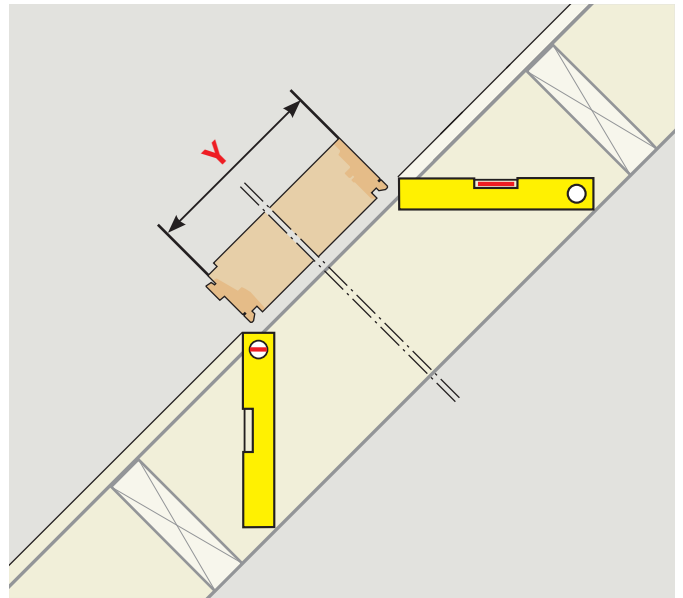
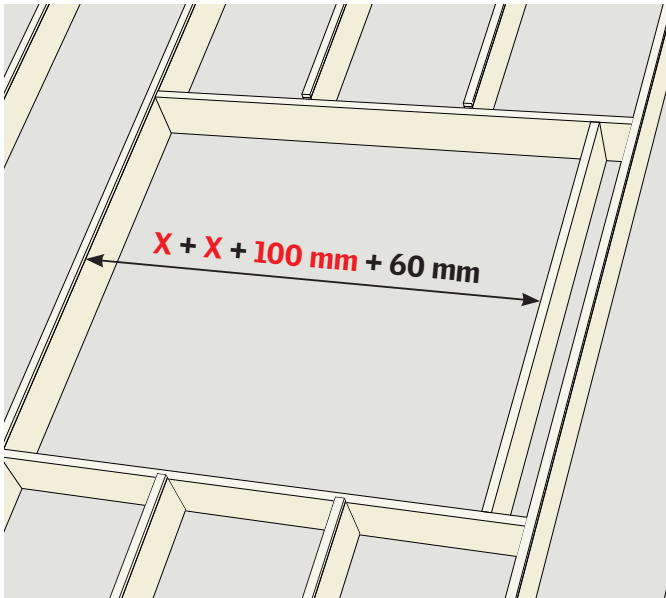


# BDX 4021 E ■

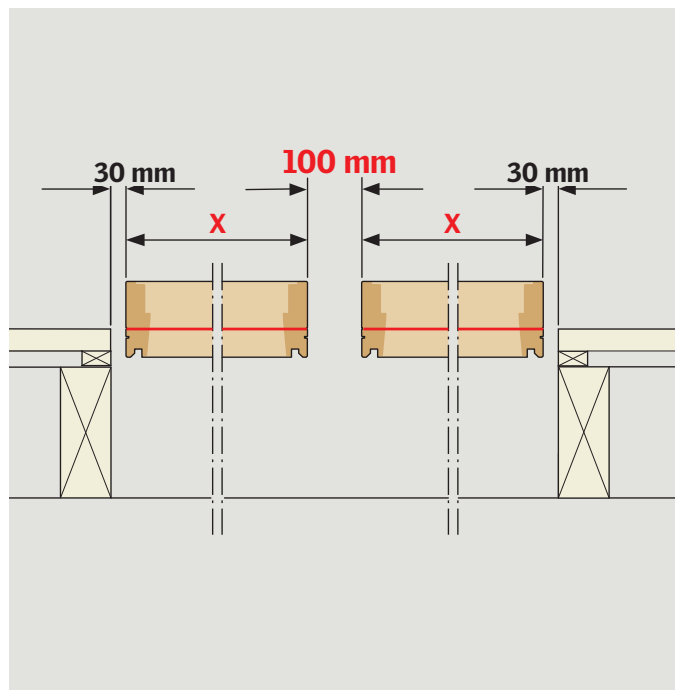
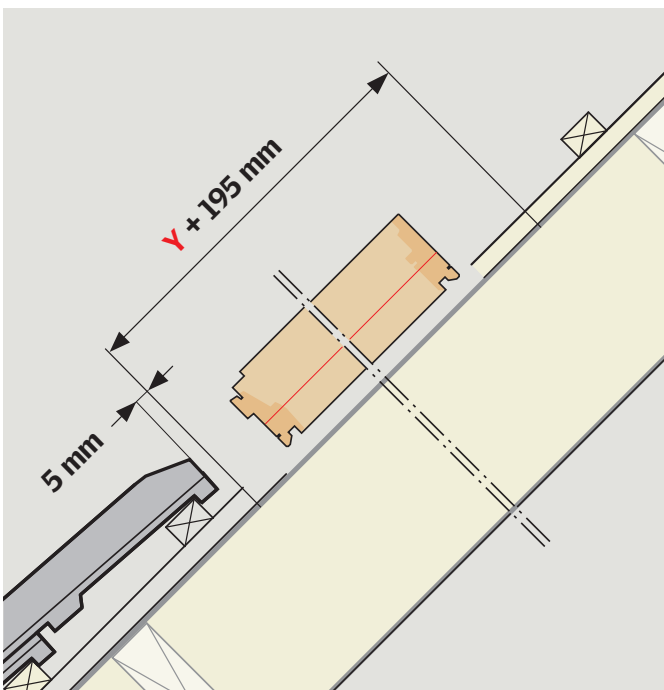
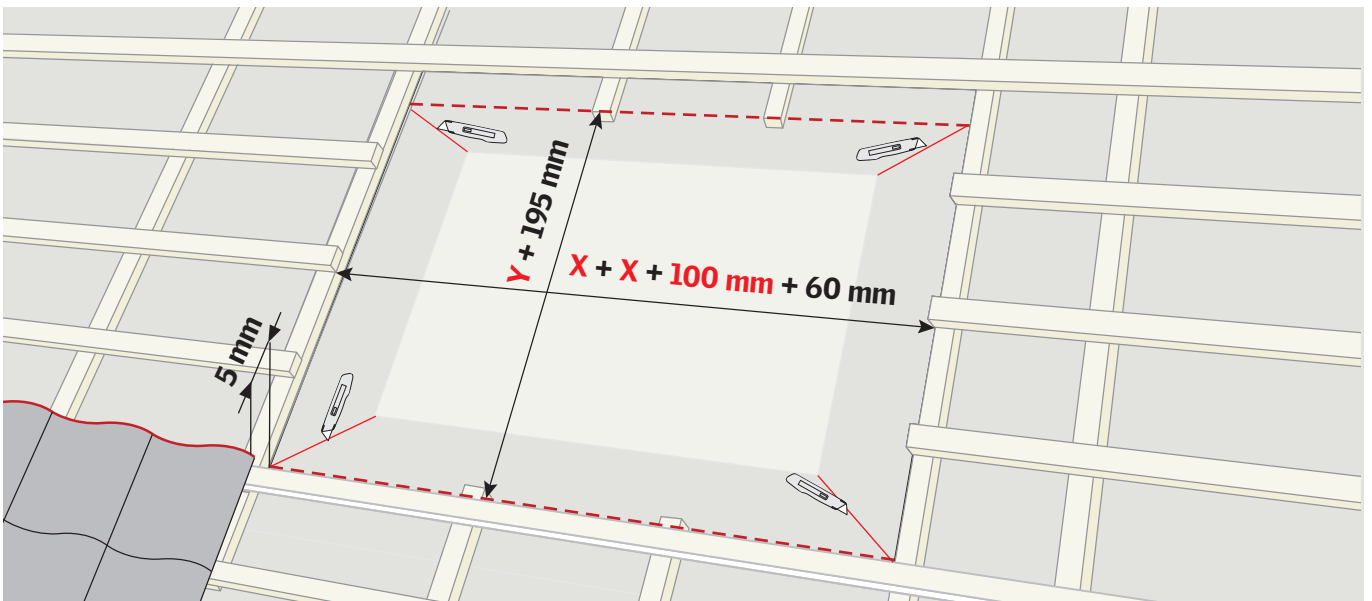
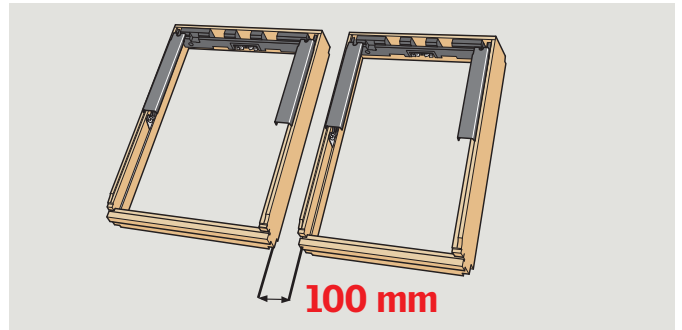
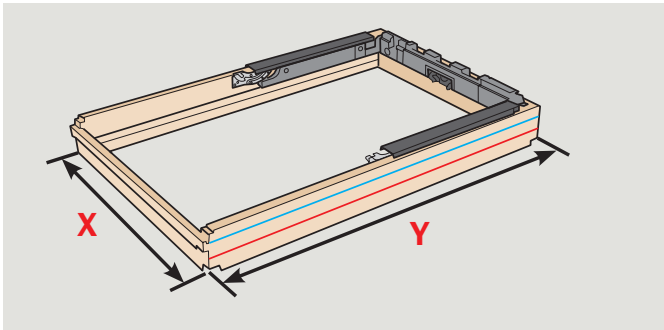
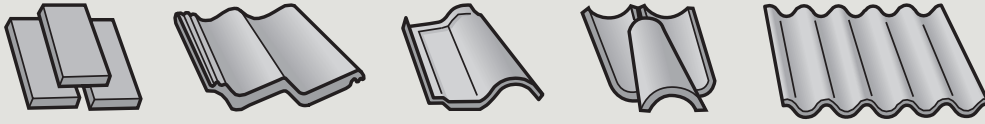
## SIDE-BY-SIDE INSTALLATION PACKAGE





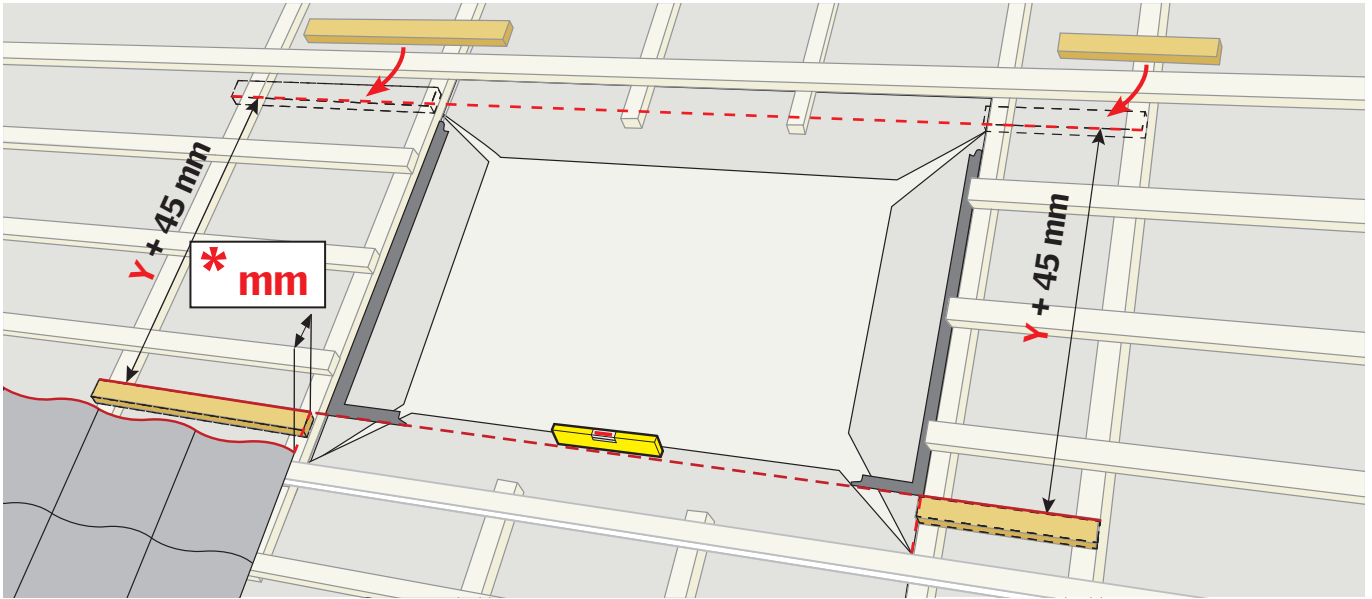
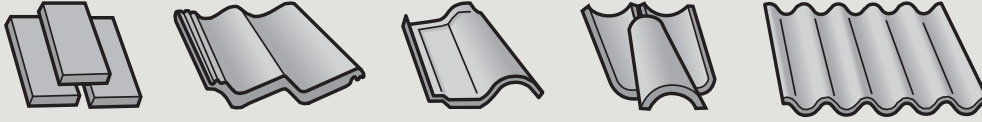


1a





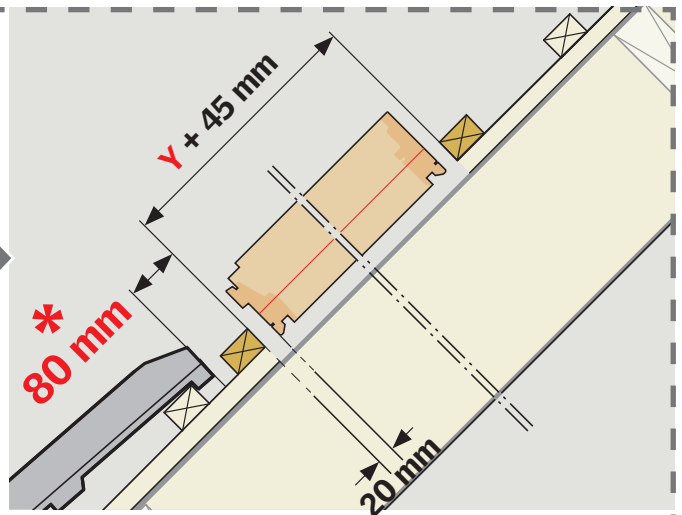
2a



\*



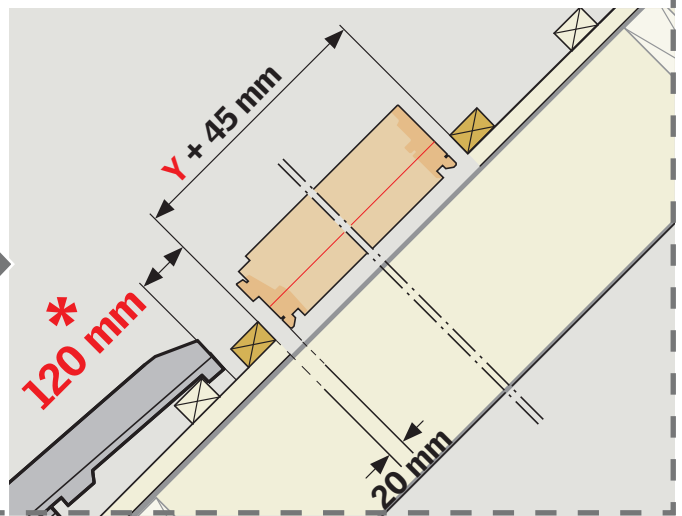
= 80 mm



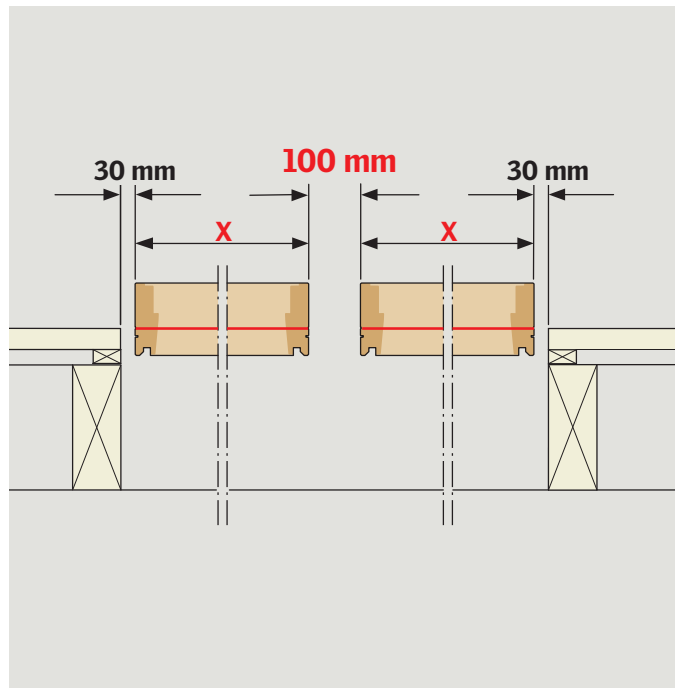
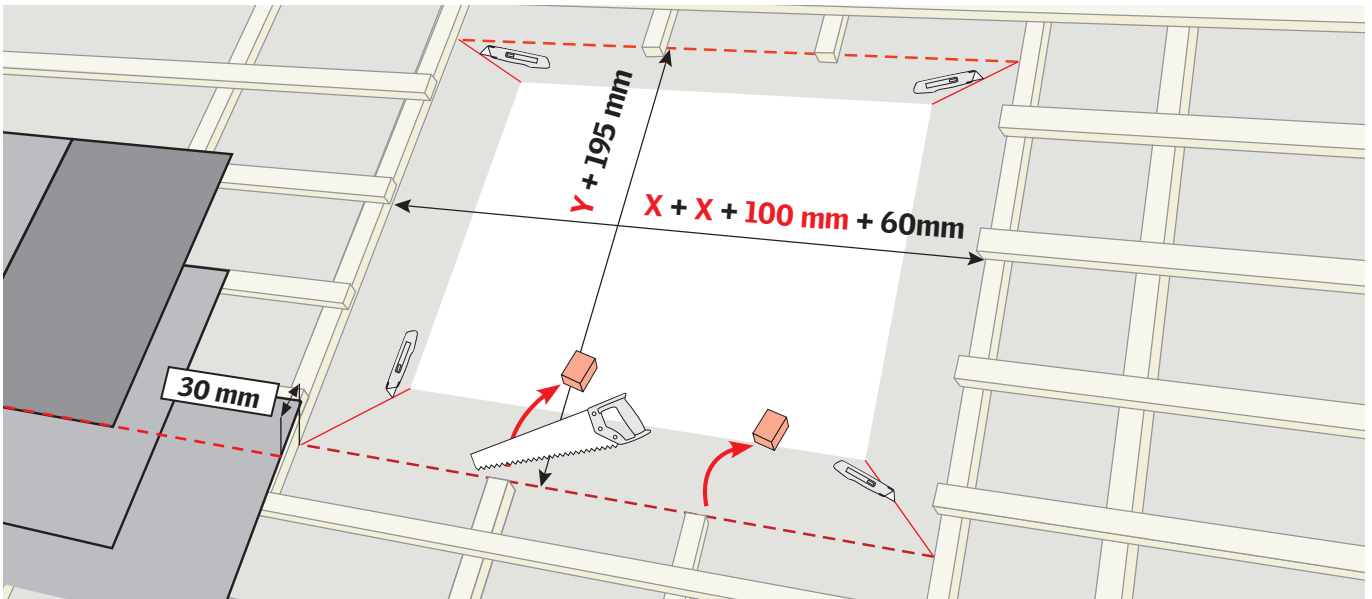
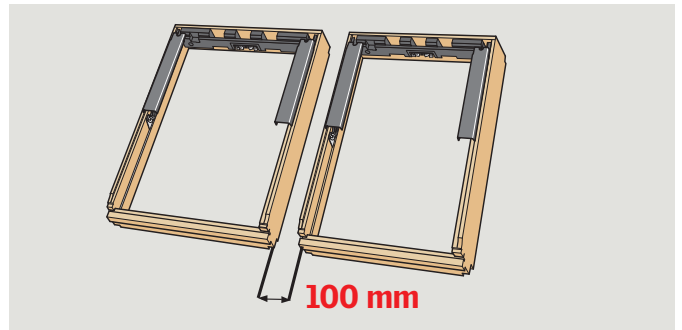
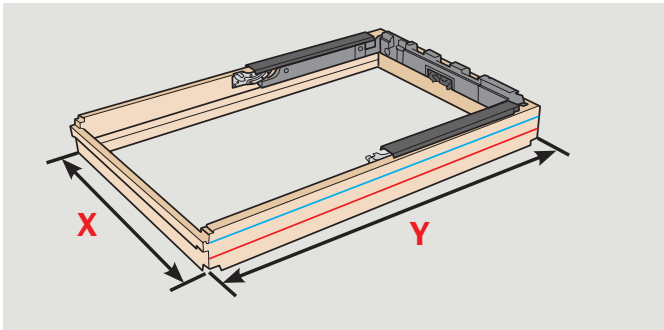
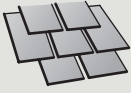
\*



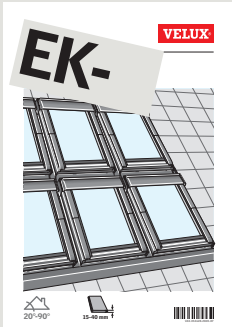
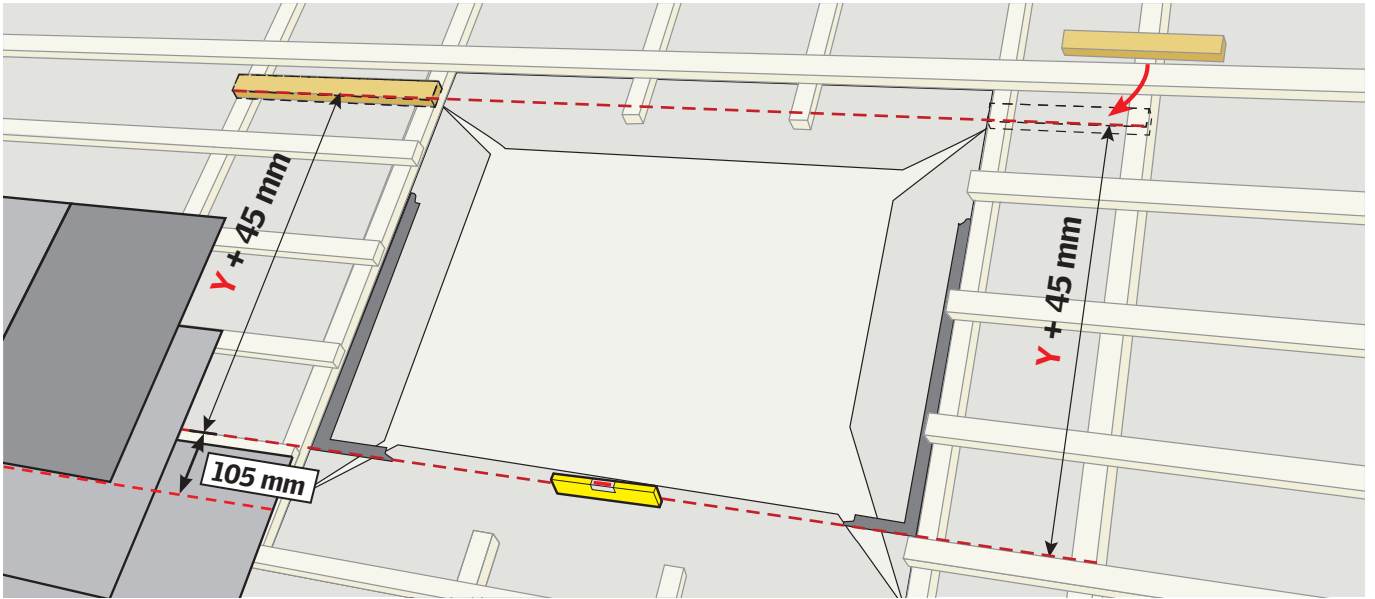
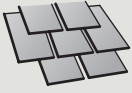
= 120 mm



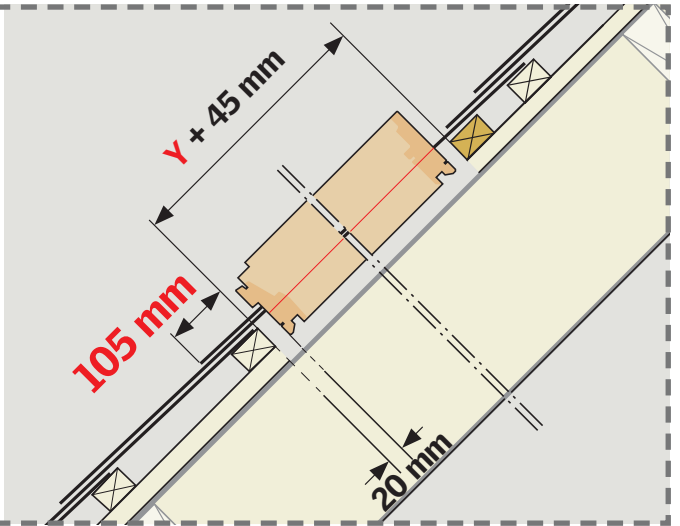
1b



2b

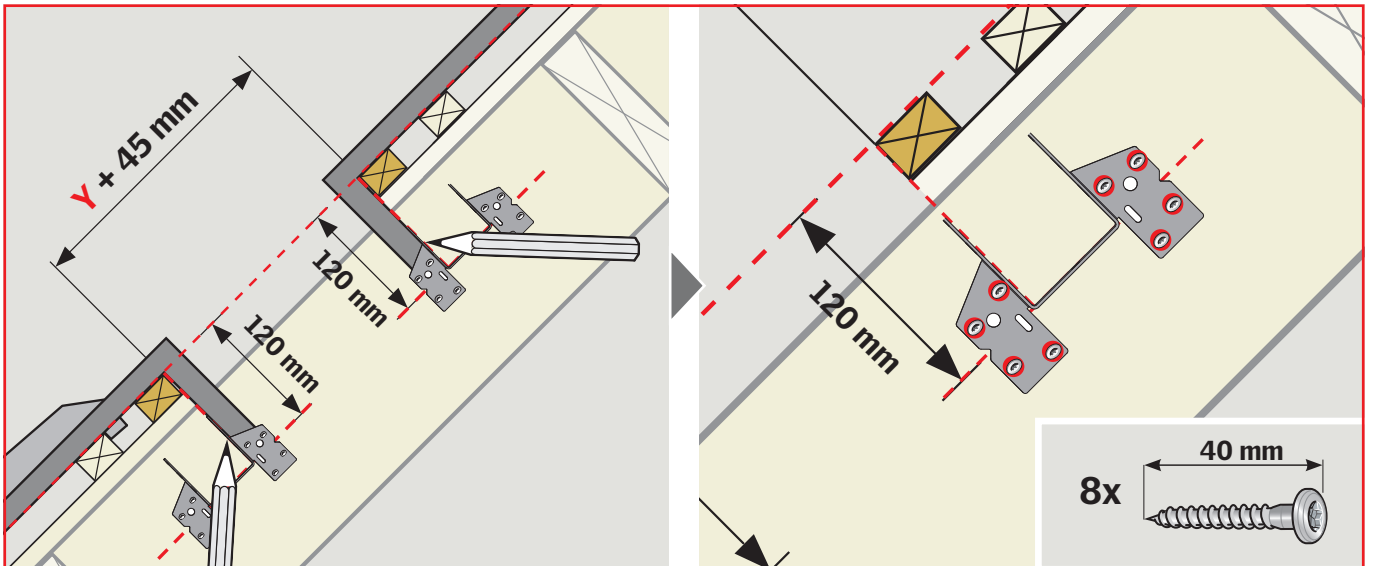
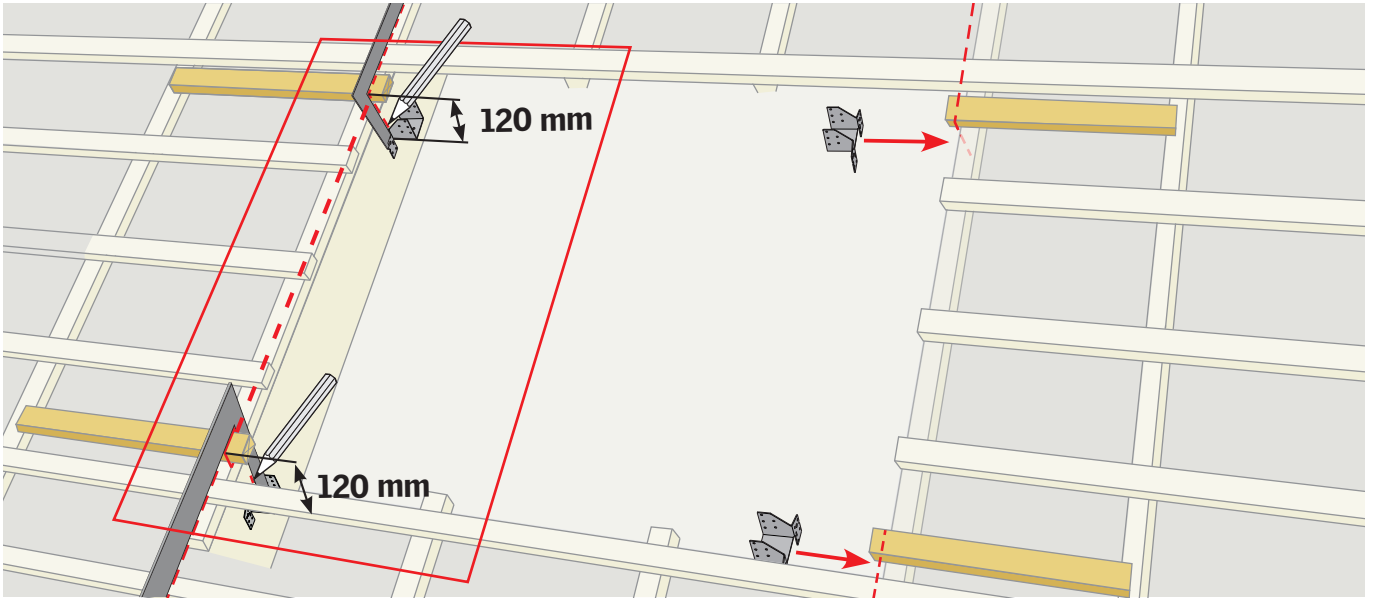
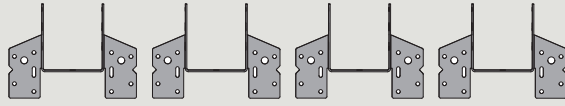


**= 105 mm**

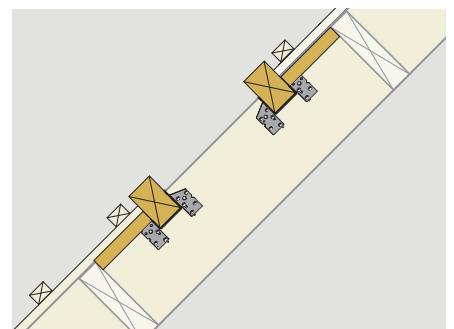
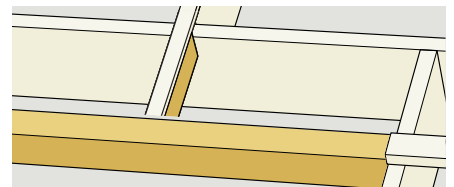
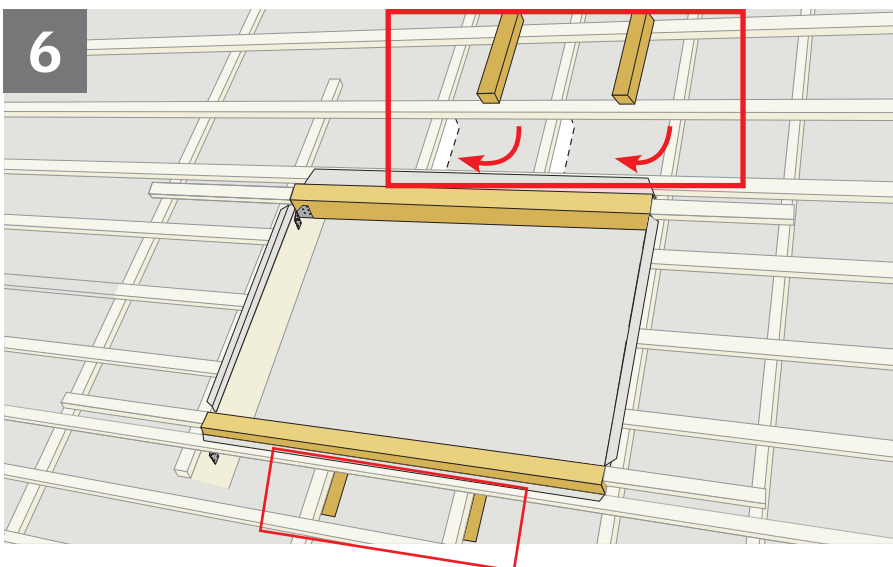
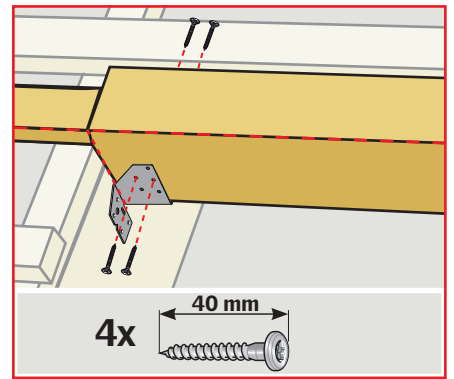
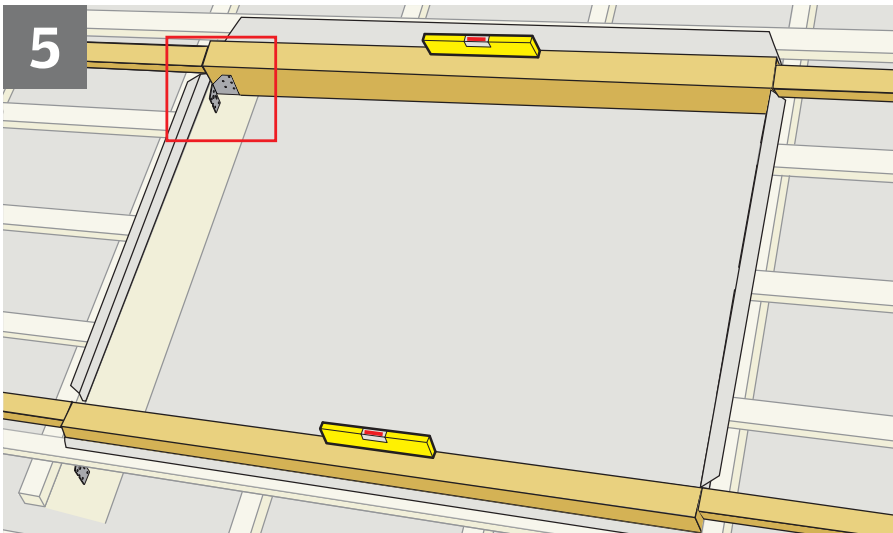
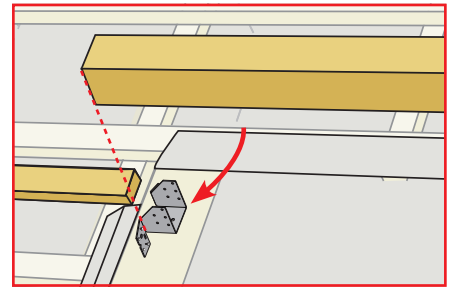
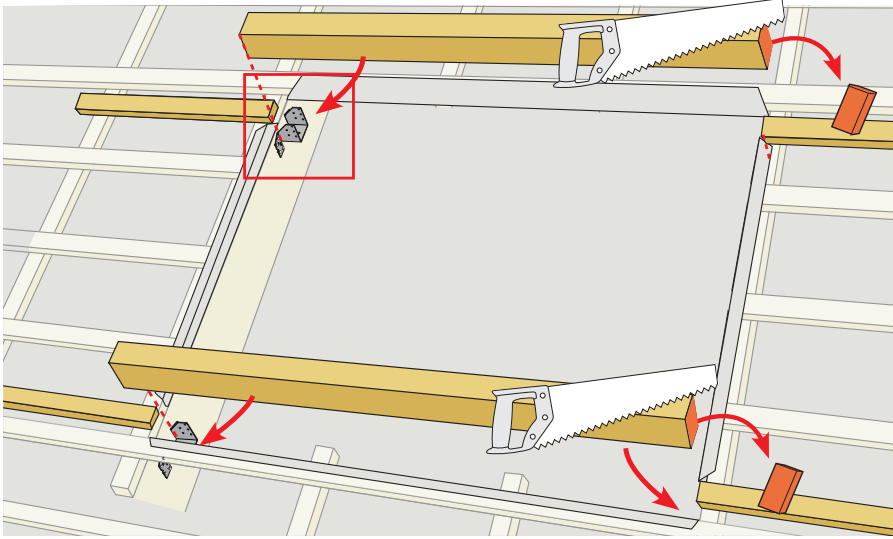


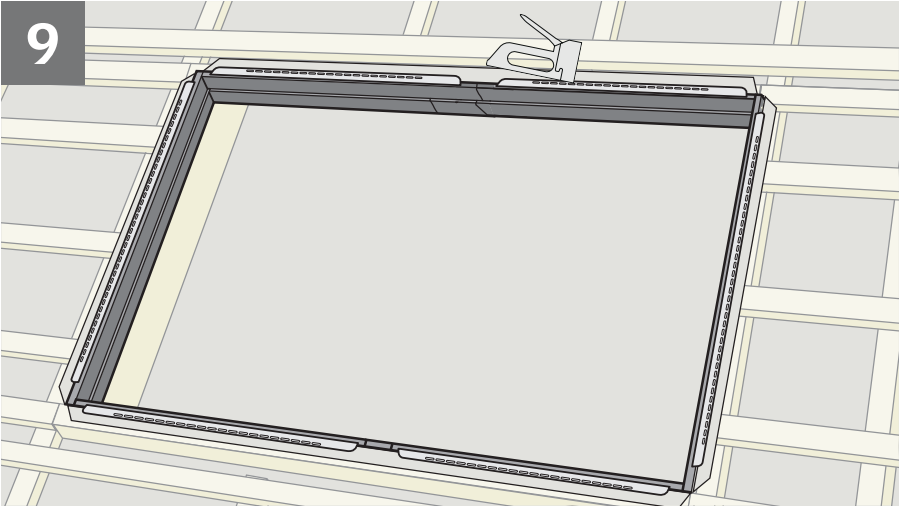
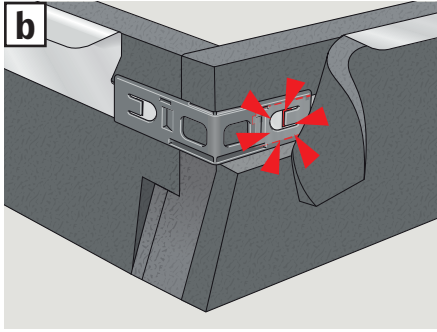
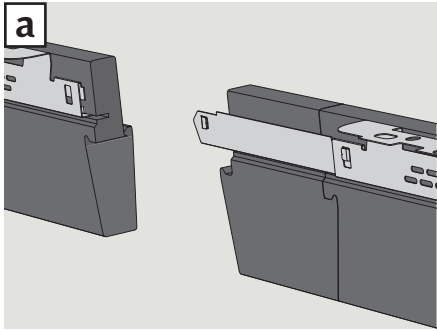
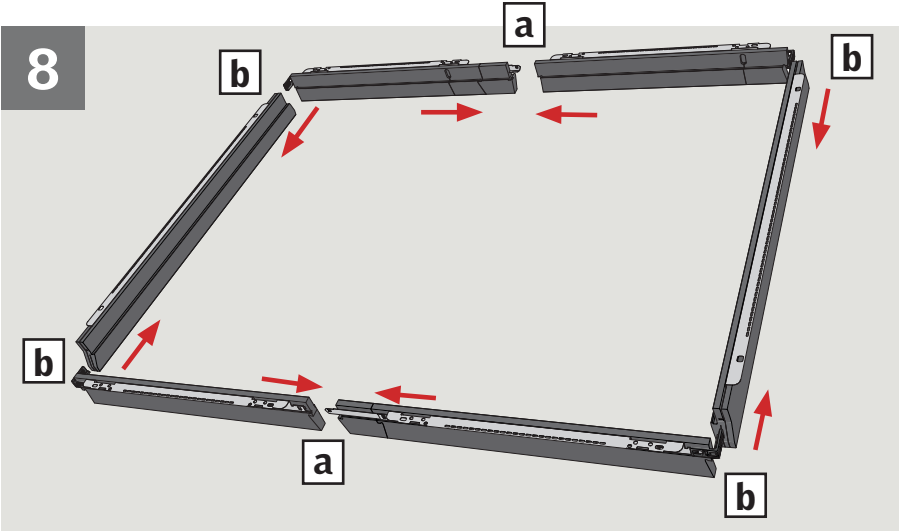
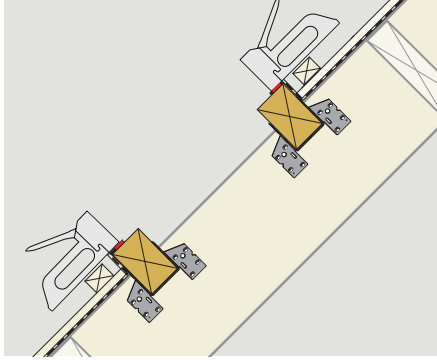
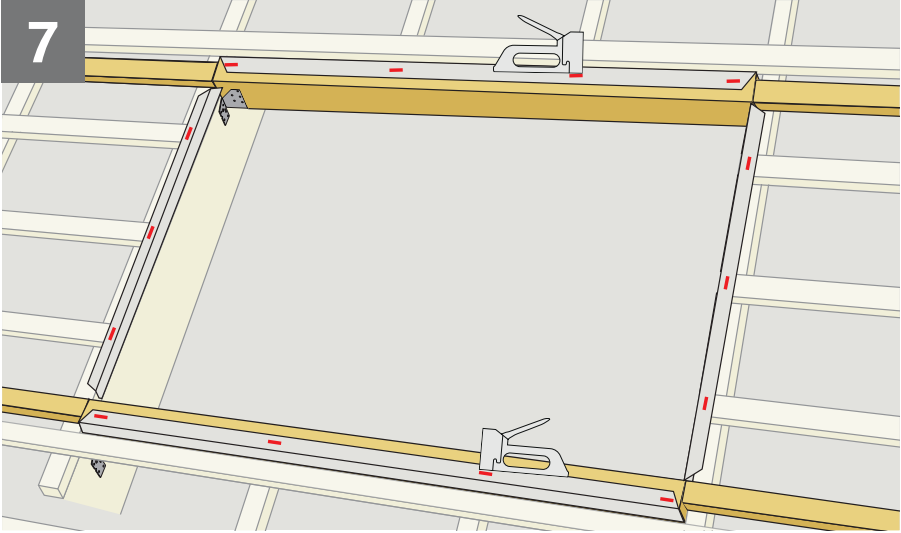
3

BDX 4021 E

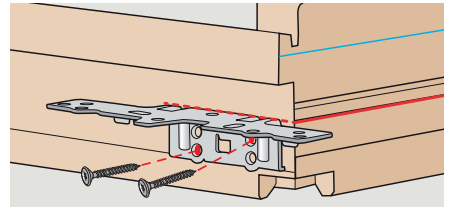
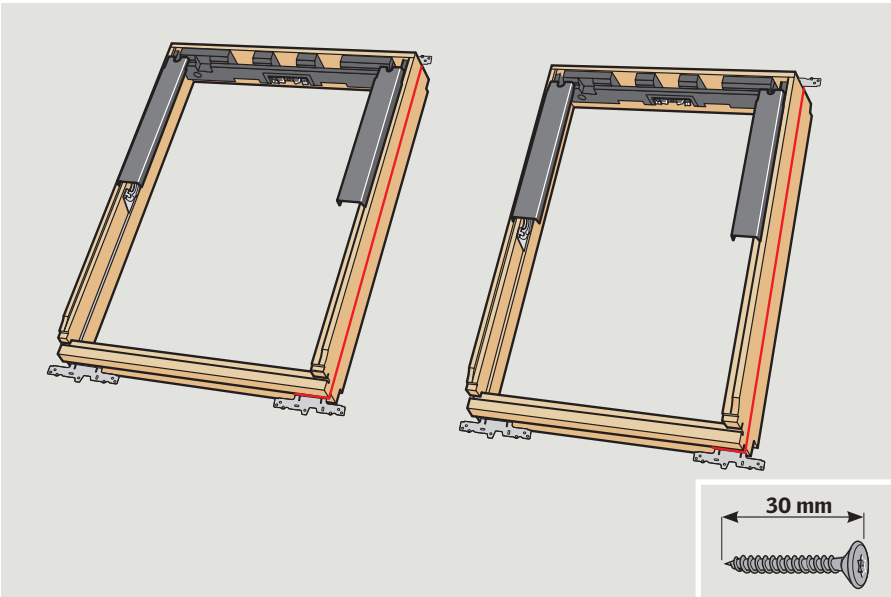
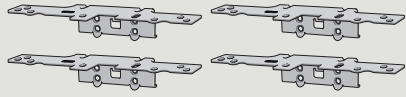


# 4 EMT

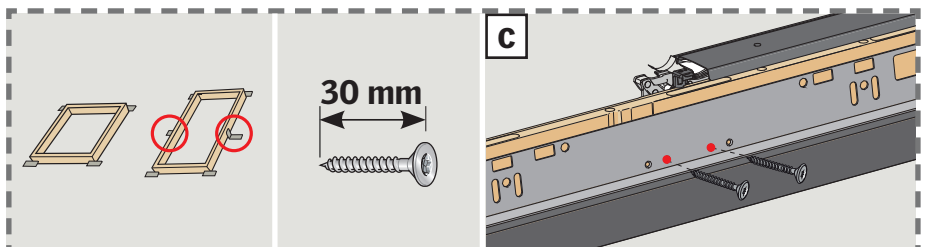
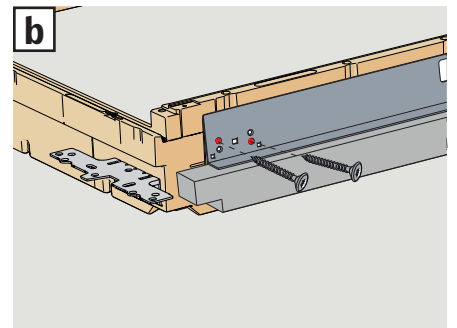
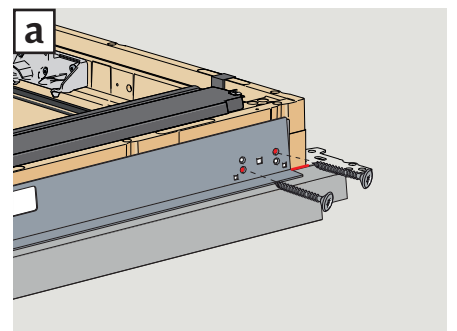
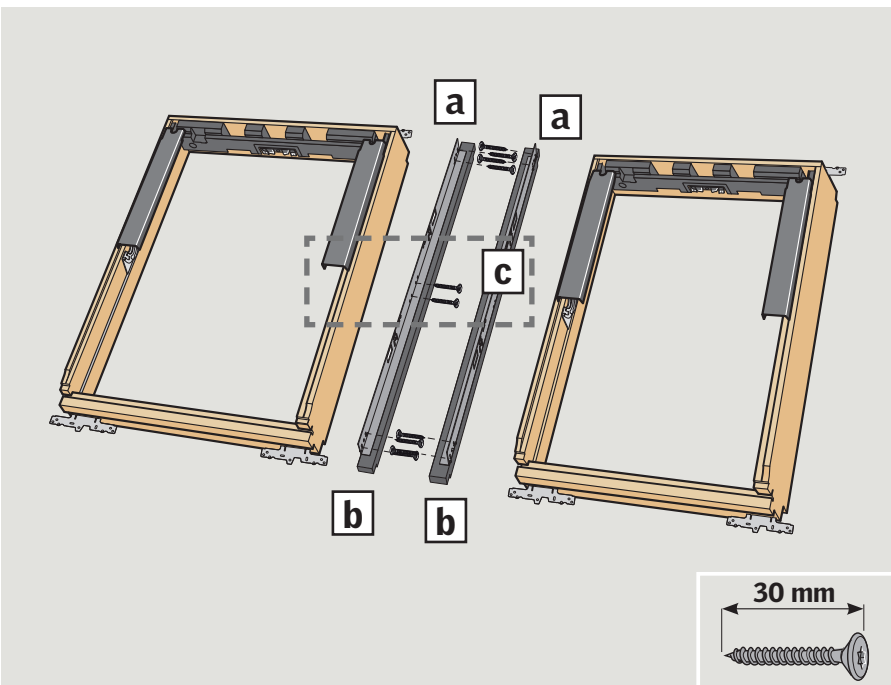




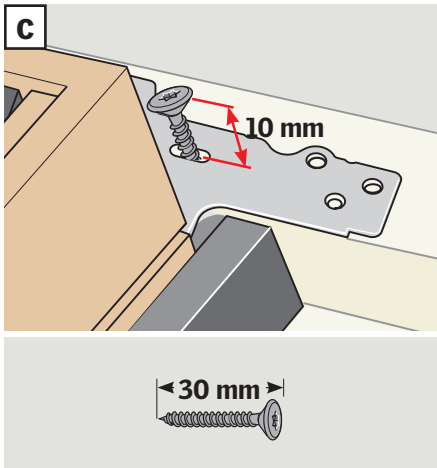
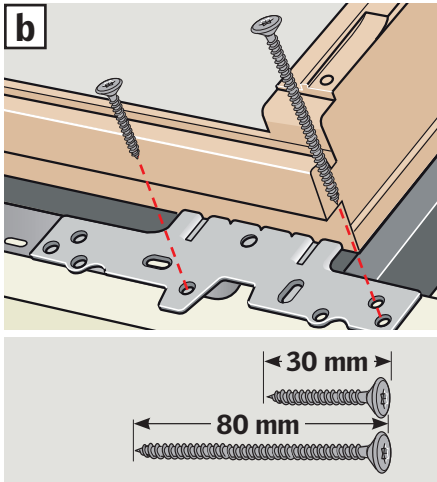
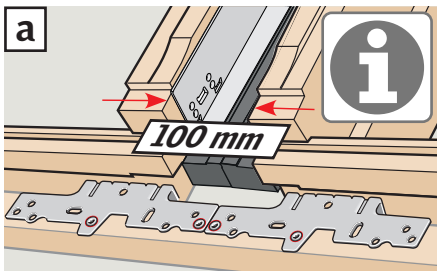
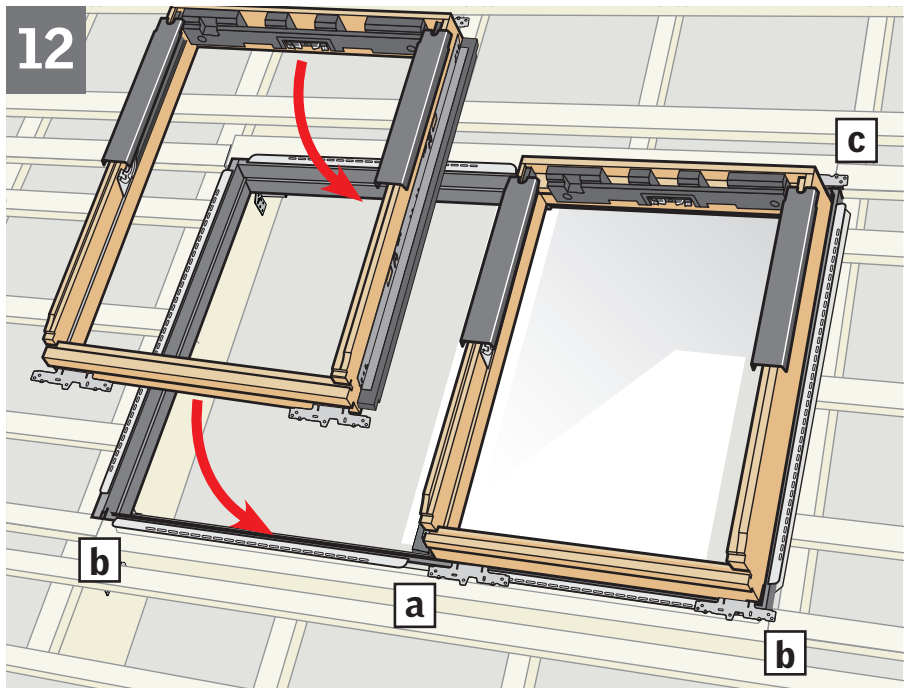
# 10 G--



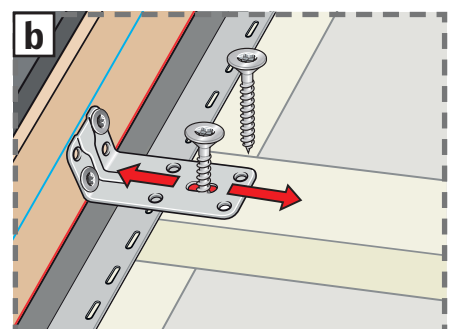
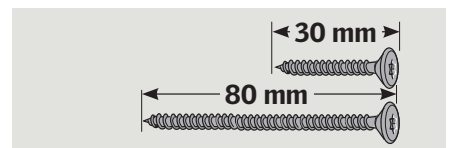
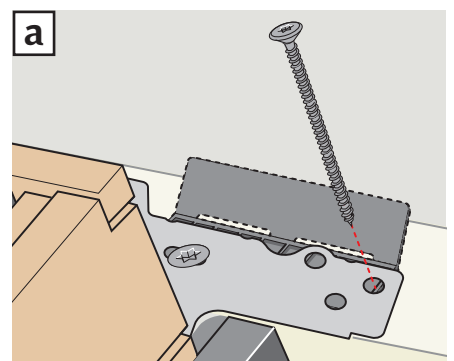
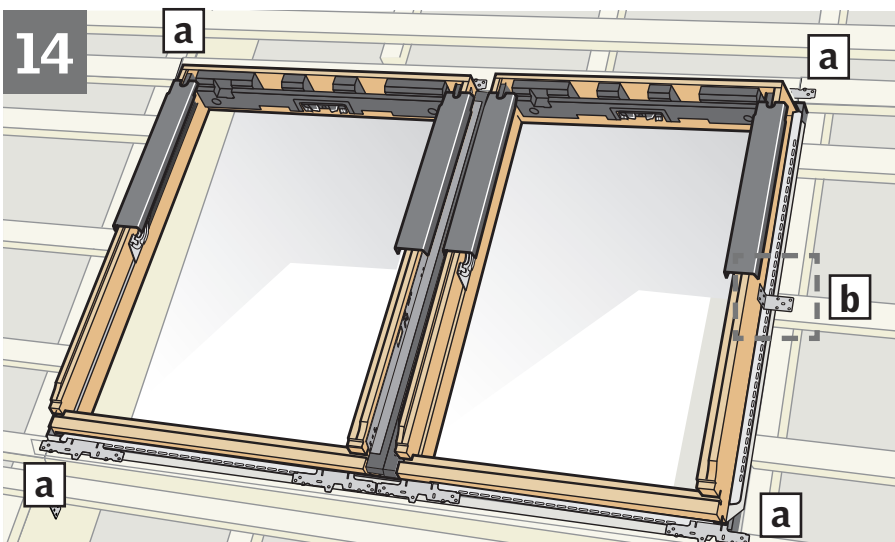
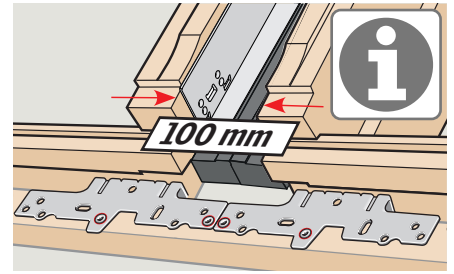
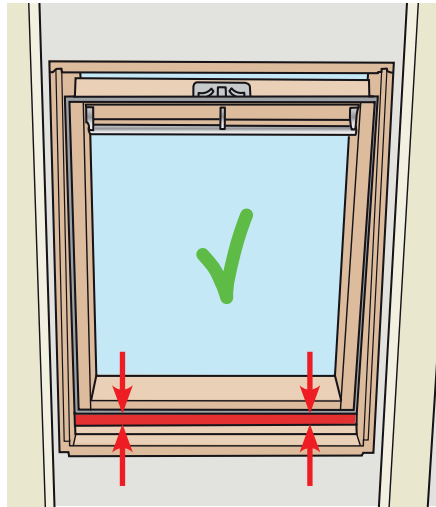
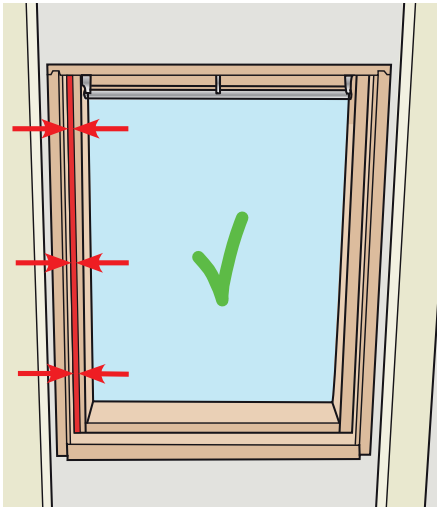
# 11 BDX 4021 E



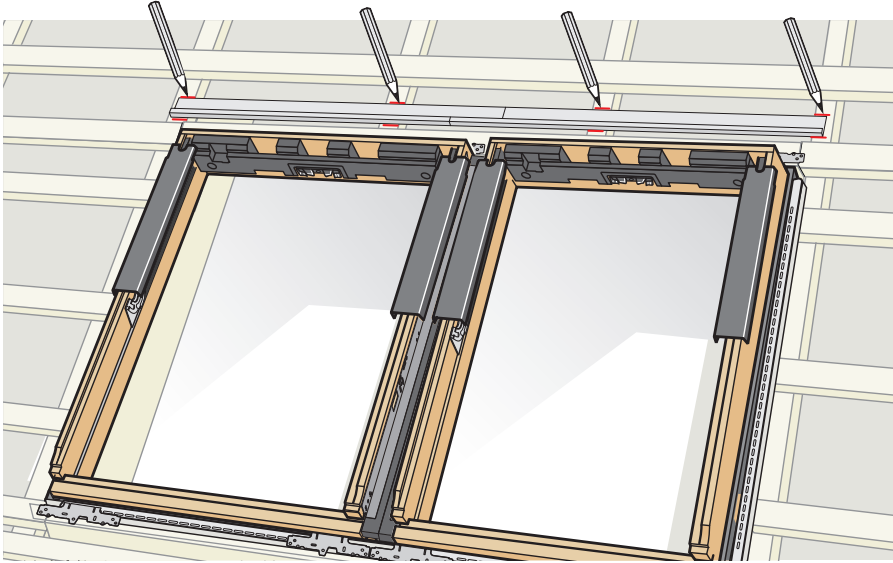
12



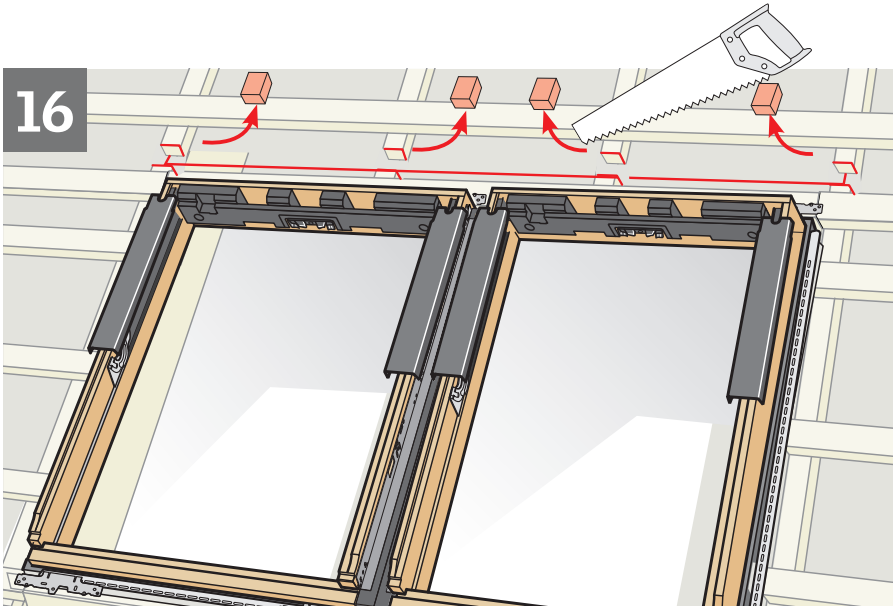




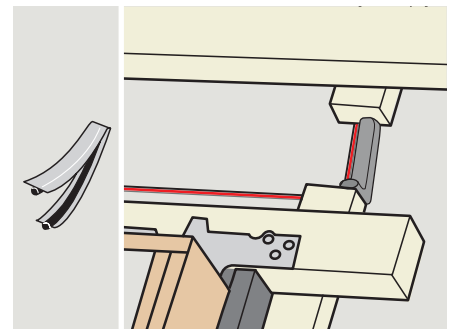
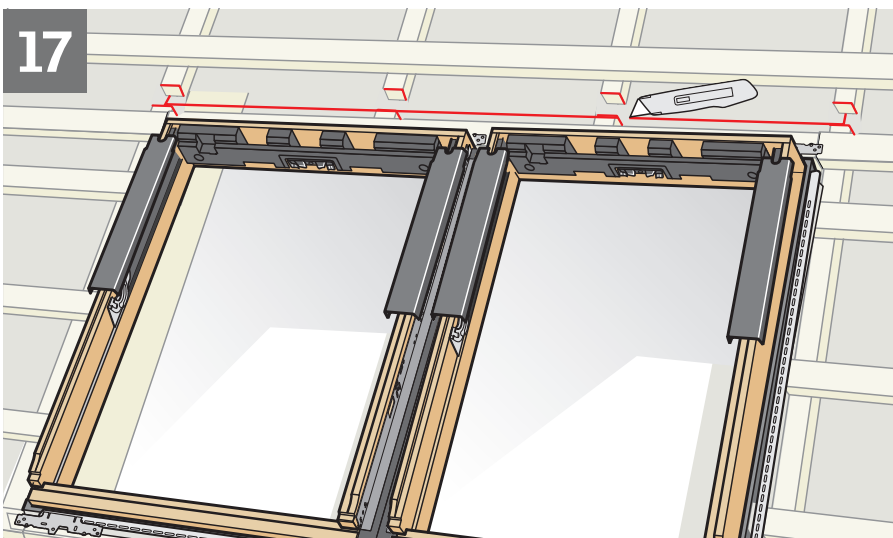
15 BDX 4021 E



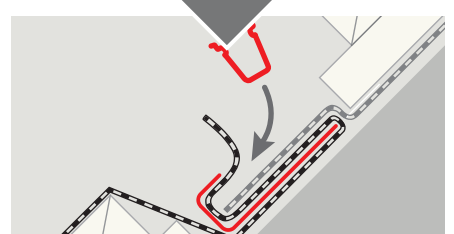
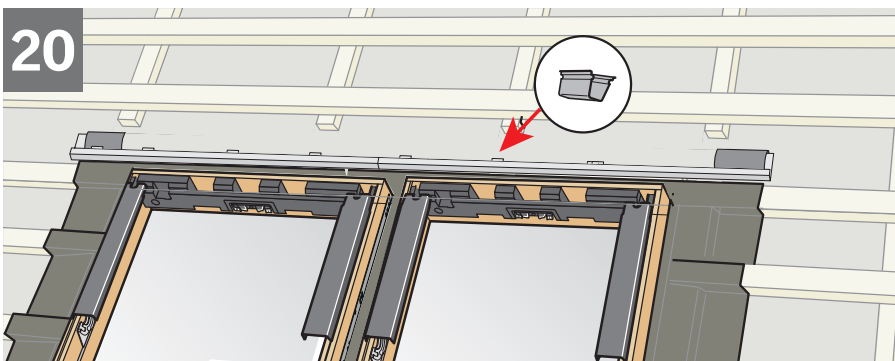
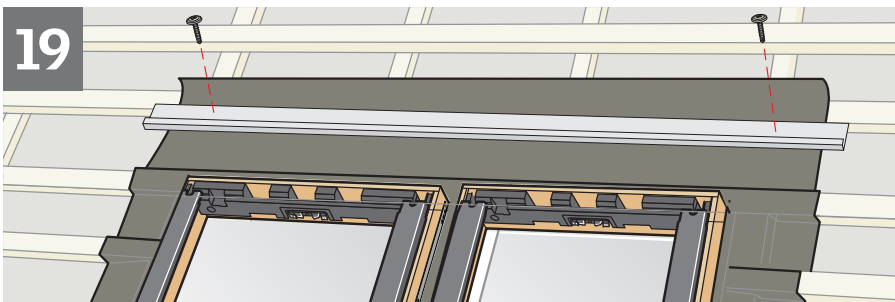
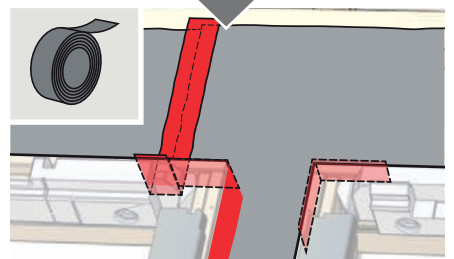
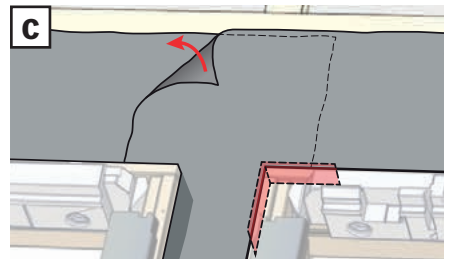
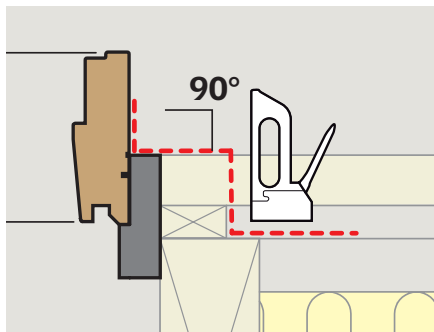
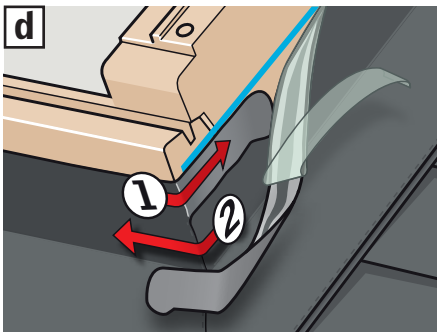
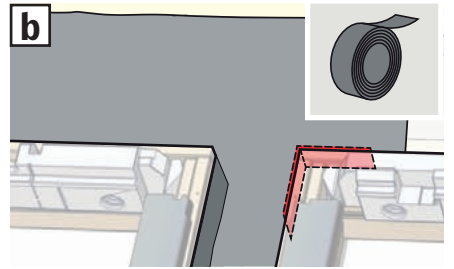
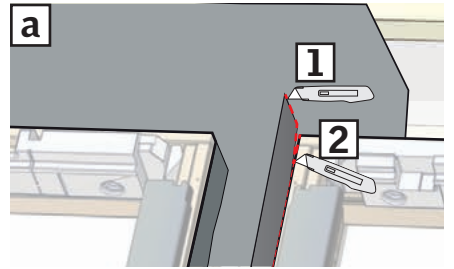
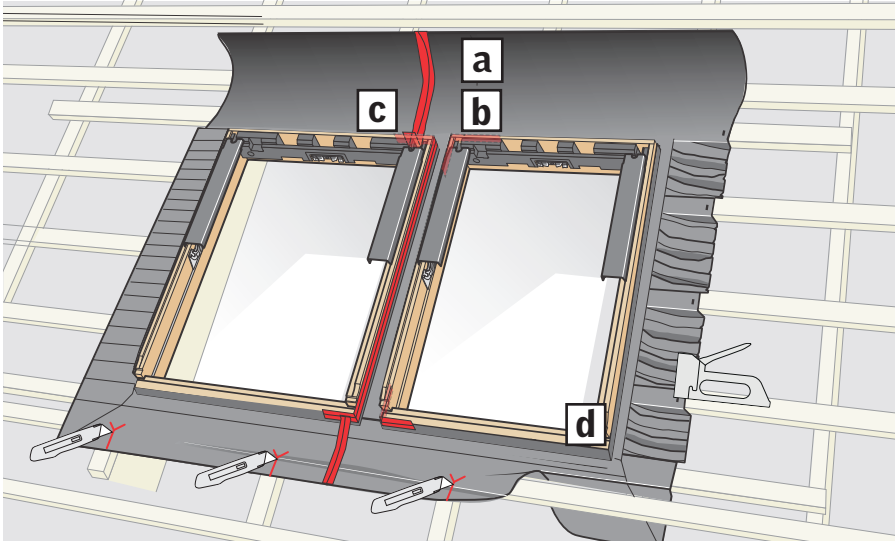
16



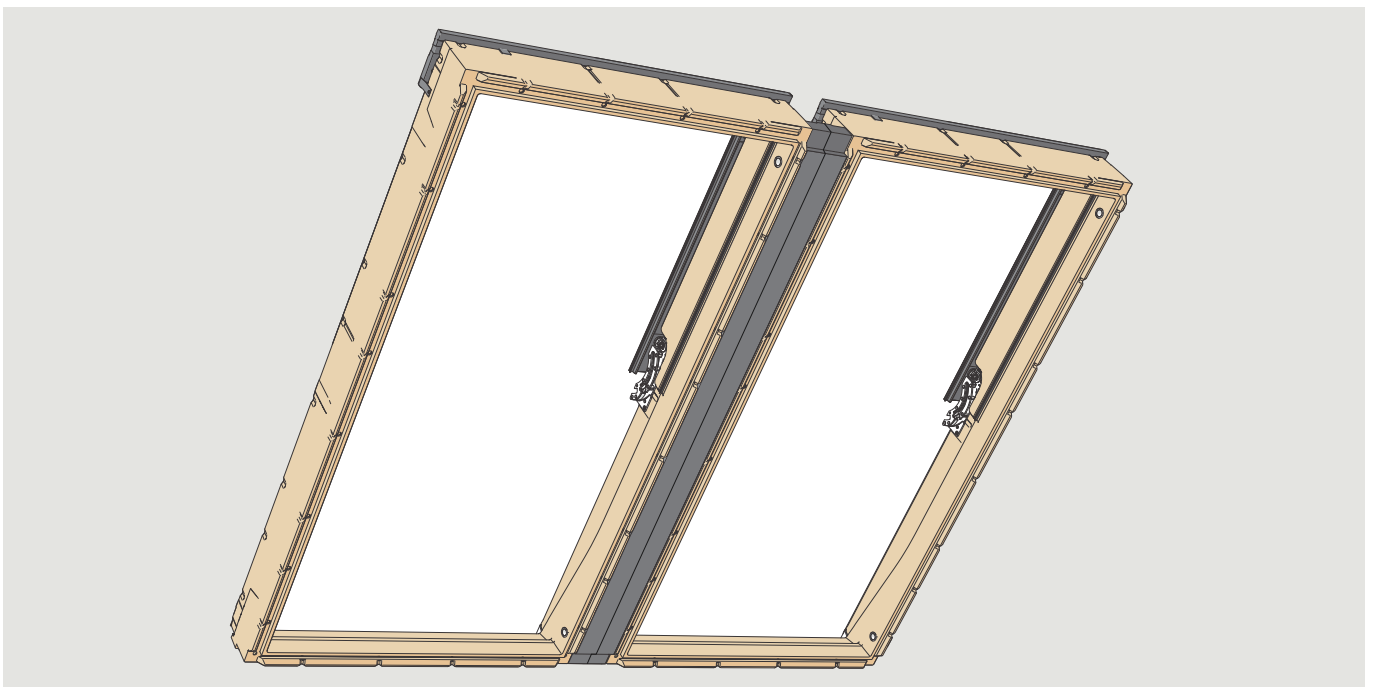
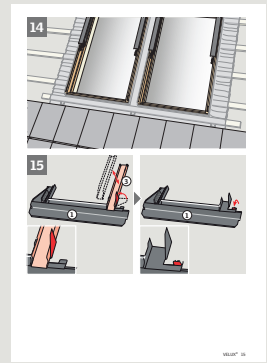
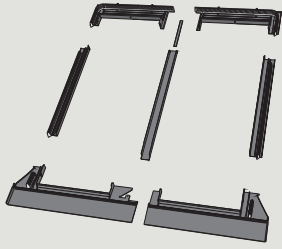
17



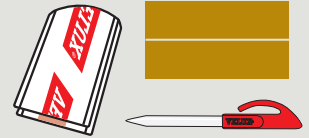
**18** BDX 4021 E  
BFX



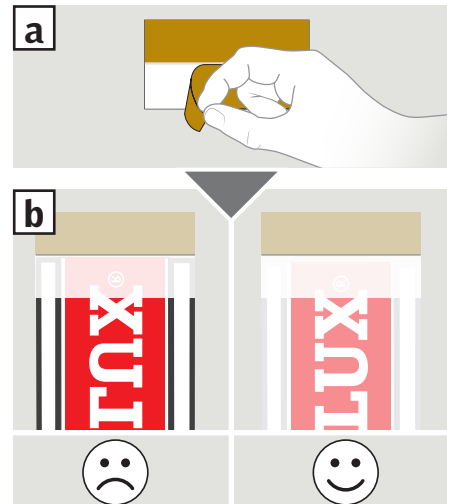
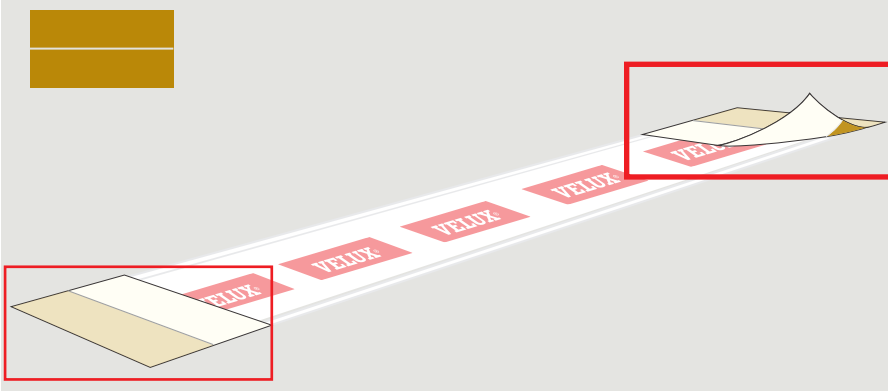
# 21 EK-



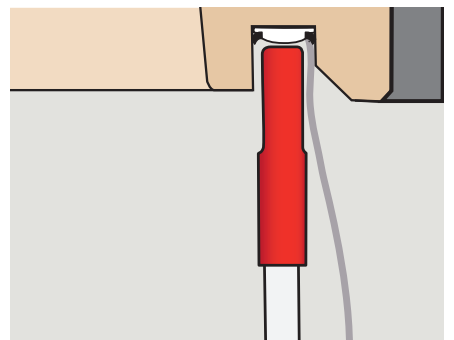
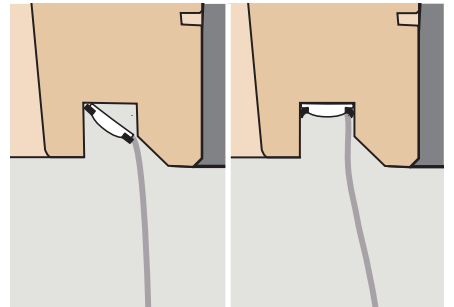
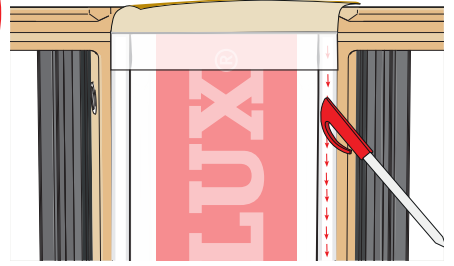
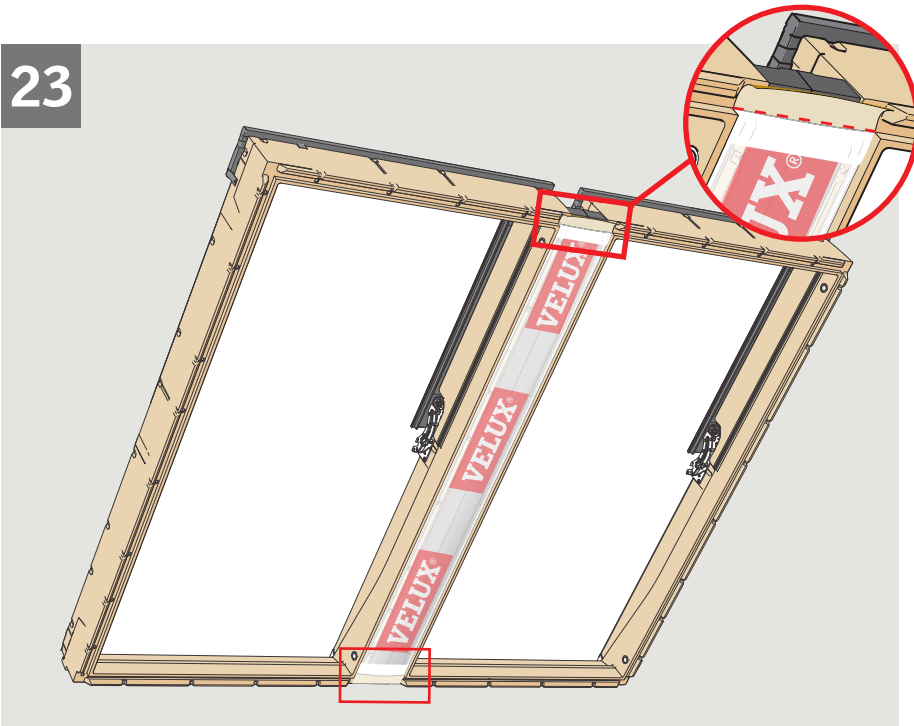
# BDX 4021 E



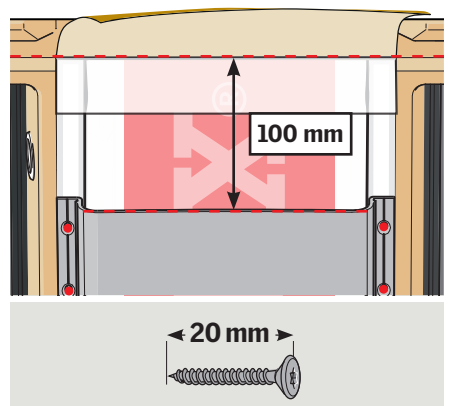
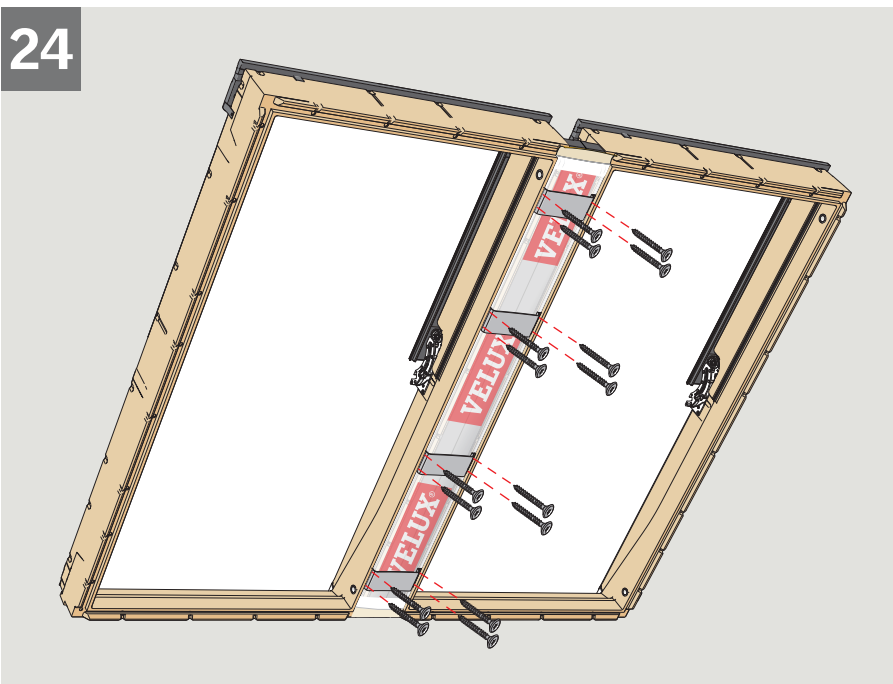
# 22



23



24

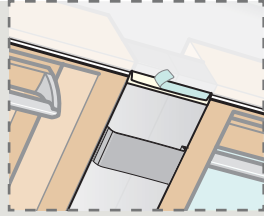
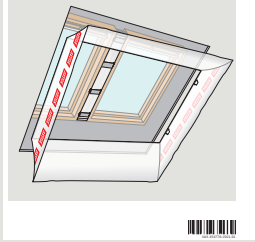


25

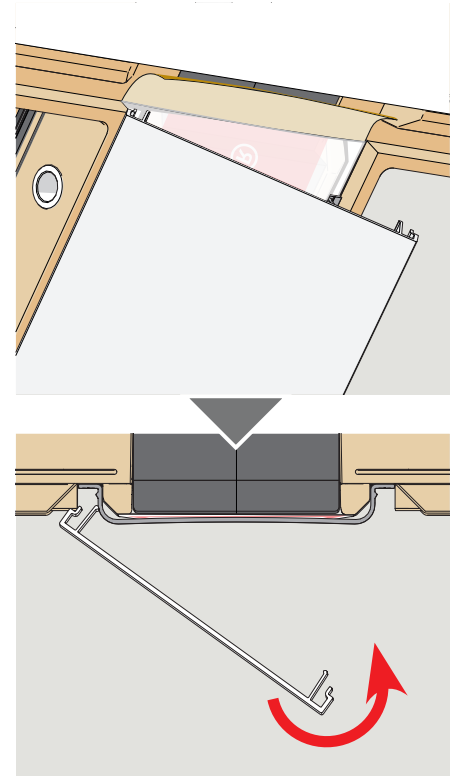
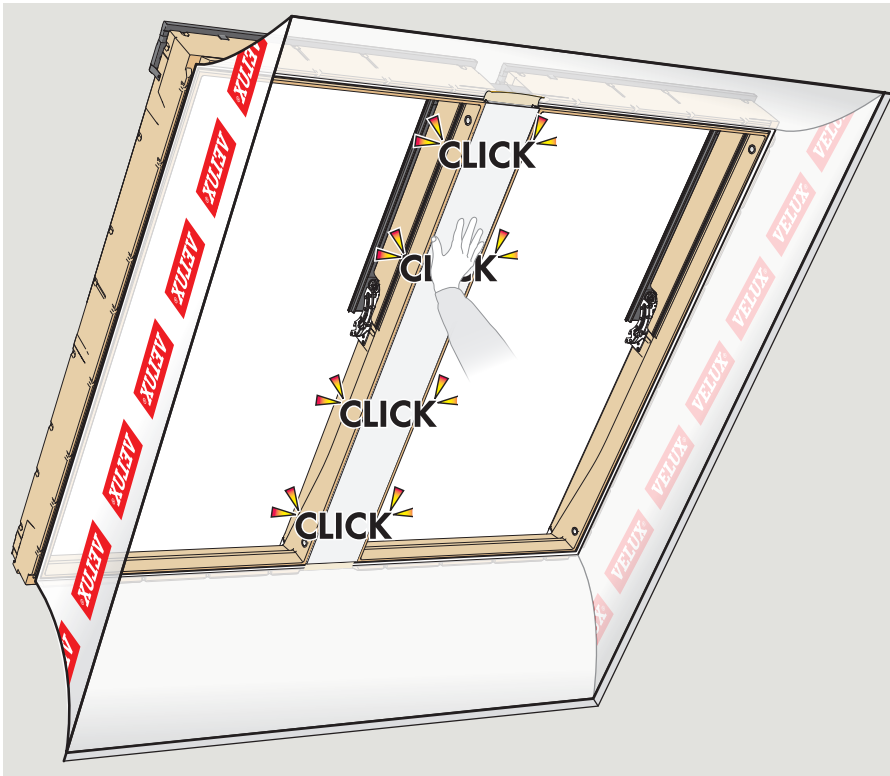
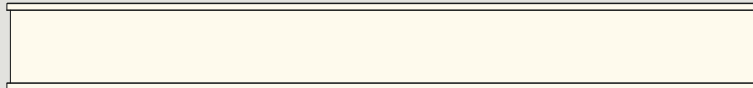
BBX



VELUX  
**BBX 0021 E**



26 **BDX 4021 E**

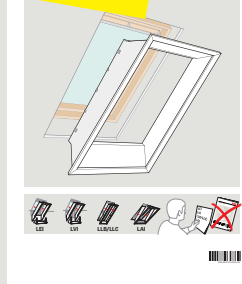


27

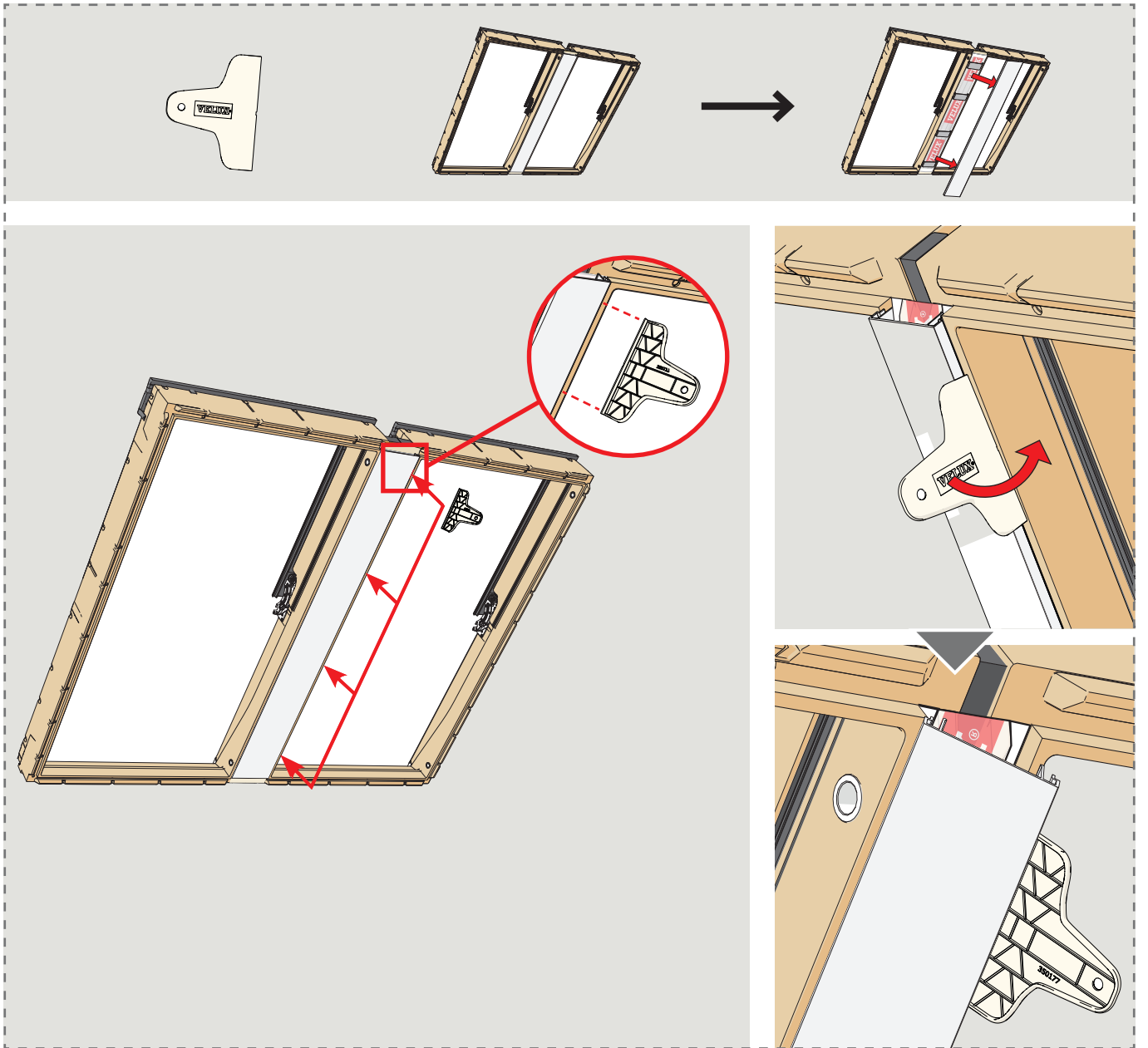
LS-



VELUX  
**LS-**







<b>CE</b> 13	
EN 13859-1:2014 Notified body: 0338	
BFX	
Flexible sheet for underlays for roofs	
Reaction to fire:	Class E
Resistance to water penetration: - before artificial ageing: - after artificial ageing:	Class W1 Class W1
Tensile strength in longitudinal direction: - before artificial ageing: - after artificial ageing:	200 N/50 mm 120 N/50 mm
Tensile strength in transverse direction: - before artificial ageing: - after artificial ageing:	200 N/50 mm 120 N/50 mm
VELUX A/S Ådalsvej 99 DK-2970 Hørsholm www.velux.com/ce	

<b>CE</b> 13	
EN 16069:2012+A1:2015 Notified body: 0761, 1004	
BDX	
Thermal insulation product for buildings	
Reaction to fire:	Class E
Thermal conductivity:	0,039 w/(mK)
VELUX A/S Ådalsvej 99 DK-2970 Hørsholm www.velux.com/ce	

<b>CE</b> 13	
EN 13984:2013 Notified body: 0402, 0845	
BBX	
Flexible sheet for waterproofing	
Reaction to fire:	Class E
Water vapour resistance:	Sd= 80 m
Watertightness:	Pass
VELUX A/S Ådalsvej 99 DK-2970 Hørsholm www.velux.com/ce	

**AR:** VELUX Export (VELUX A/S)  
+ 45 4516 7885

**AT:** VELUX Österreich GmbH  
02245/32 3 50

**AU:** VELUX Australia Pty. Ltd.  
1300 859 856

**BA:** VELUX Bosna i Hercegovina d.o.o.  
033/626 493, 626 494

**BE:** VELUX Belgium  
(010) 42.09.09

**BG:** ВЕЛУКС България ЕООД  
02/955 99 30

**CA:** VELUX Canada Inc.  
1 800 88-VELUX (888-3589)

**CH:** VELUX Schweiz AG  
062 289 44 45

**CL:** VELUX Export (VELUX A/S)  
+ 45 4516 7885

**CN:** VELUX (CHINA) CO. LTD.  
0316-607 27 27

**CZ:** VELUX Česká republika, s.r.o.  
531 015 511

**DE:** VELUX Deutschland GmbH  
www.velux.de/kontakt

**DK:** VELUX Danmark A/S  
45 16 45 16

**EE:** VELUX Eesti OÜ  
621 7790

**ES:** VELUX Spain, S.A.U.  
91 509 71 00

**FI:** VELUX Suomi Oy  
0207 290 800

**FR:** VELUX France  
0806 80 15 15  
Service gratuit + prix appel

**GB:** VELUX Company Ltd.  
01592 778 225

**HR:** VELUX Hrvatska d.o.o.  
01/5555 444

**HU:** VELUX Magyarországi Kft.  
(06/1) 436-0601

**IE:** VELUX Company Ltd.  
01 848 8775

**IT:** VELUX Italia s.p.a.  
045/6173666

**JP:** VELUX-Japan Ltd.  
0570-00-8141

**KR:** VELUX Export (VELUX A/S)  
+ 45 4516 7885

**LT:** VELUX Lietuva, UAB  
(85) 270 91 01

**LV:** VELUX Latvia SIA  
67 27 77 33

**NL:** VELUX Nederland B.V.  
030 - 6 629 629

**NO:** VELUX Norge AS  
22 51 06 00

**NZ:** VELUX New Zealand Ltd.  
0800 650 445

**PL:** VELUX Polska Sp. z o.o.  
(022) 33 77 000 / 33 77 070

**PT:** VELUX Portugal, Lda  
21 880 00 60

**RO:** VELUX România S.R.L.  
0268-402740

**RS:** VELUX Srbija d.o.o.  
011 20 57 500

**SE:** VELUX Svenska AB  
042/20 83 80

**SI:** VELUX Slovenija d.o.o.  
01 724 68 68

**SK:** VELUX Slovensko, s.r.o.  
(02) 33 000 555

**TR:** VELUX Çatı Pencereleri  
Ticaret Limited Şirketi  
0 216 302 54 10

**UA:** ТОВ "ВЕЛЮКС Україна"  
(044) 2916070

**US:** VELUX America LLC  
1-800-88-VELUX

[www.velux.com](http://www.velux.com)