

TECHNICAL DATA SHEET

ALU 040-050

Non combustible pedestal ALU 40-50 mm (1 4/7" - 1 31/32")

BASIC INFORMATION

Product name	Non combustible pedestal ALU 40-50 mm (1 4/7" - 1 31/32")
Trade name	ALU 040-050
Product group	Adjustable pedestals - ALU series
Application	Terrace with tiles
Code	10991



FEATURES

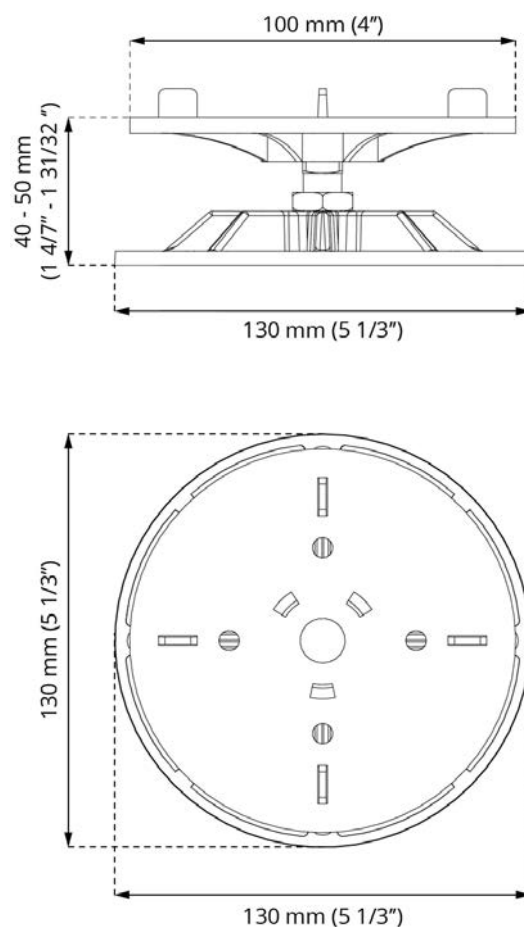
- Smooth height adjustment from 40 to 50 mm (from 1 4/7" to 1 31/32").
- Aluminum, fire-resistant safety pedestals, EURO A1 class.
- Built-in self-leveling function from 0 to 6%.
- High load capacity.
- Adapted to tiles/pavers.

DESCRIPTION

The ALU series has been specially designed for professional terraces that are built in facilities where higher fire resistance is required. It is used in projects with increased requirements. The durable aluminum construction provides high load capacity, allowing for the maintenance of large loads. The ALU series pedestals have a smooth adjustment function, which allows for achieving any height in the range of 40 to 200 mm (1 4/7" to 8"). Additionally, they have a built-in self-leveling function, allowing for achieving a horizontal terrace surface without the need for additional accessories on a slope of up to 6%. They are also resistant to loads and mechanical damage, making them ideal for professional applications.

PARAMETERS

Minimum height	40 mm (1 4/7")
Maximum height	50 mm (1 31/32")
Height adjustment type	Smooth height adjustment
Cap diameter	Ø 100 mm (78,5 cm ²) Ø 4" (12,17 in ²)
Base diameter	Ø 130 mm (132,7 cm ²) Ø 1 1/3" (20,57 in ²)
Tile gap width	3 mm (1/8")
Weight	0,322 kg 0.71 lbs
Load resistance	up to 2000 kg up to 4400 lbs
Operating temperature	-20°C; +65°C -4°F; +149°F
Color	Aluminum
Material	Aluminum



APPLICATION

- Terrace with tiles with improved fire resistance.

COMPONENTS

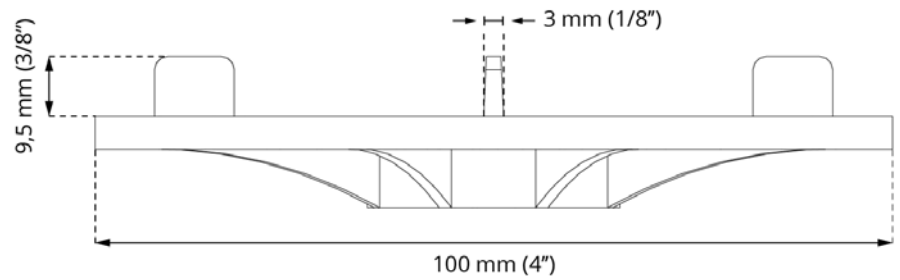
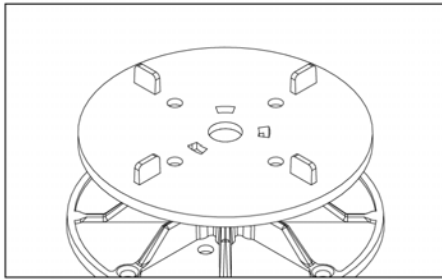
- The ALU 040-050 pedestal is composed of:
Base + Base screw nut + Low height locking nut + Screw + Head

FIRE RESISTANCE

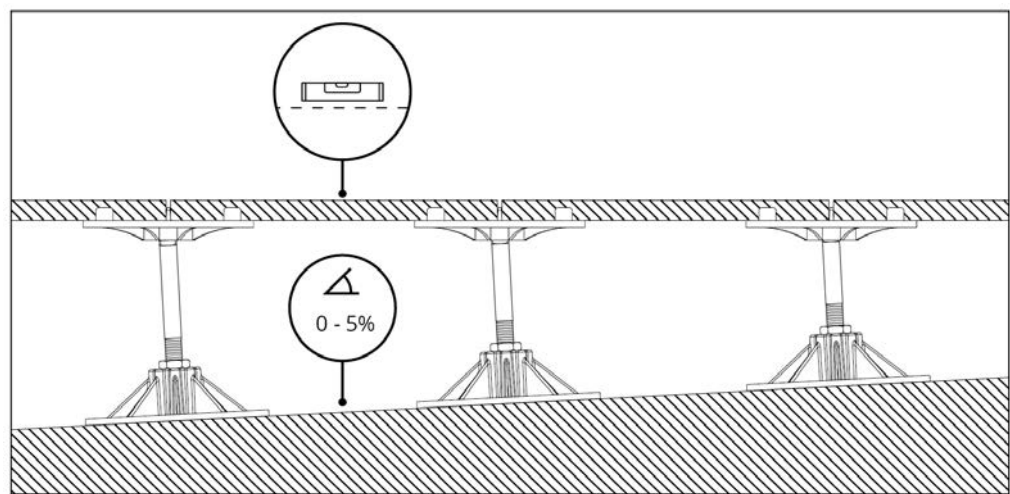
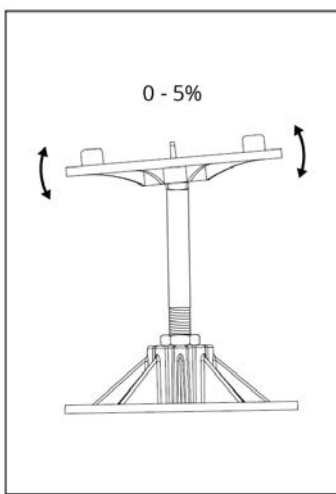
- The structure of the pedestals is made entirely of fireproof materials, safety class EURO A1.
- The pedestals have no plastic or rubber elements.



ELEMENTY GÓRNE WSPORNIKA



SELF LEVELLING



USAGE

ALU pedestals are designed for use with tiles/pavers. Made of five aluminum elements: base, high nut, low nut, screw, and cap. They have built-in 3 mm (1/8") gap spacers on the cap and the ability for smooth adjustment using a screw, which is locked in place by two nuts - in the base and counter. The screw also allows for self-leveling of the pedestal cap.

DATA LOGISTICS

Product	Type	Size	Quantity	Weight brutto
ALU 040-050	Carton box	30 x 50 x 20 cm (11 4/5" x 19 2/3" x 7 7/8")	40 pcs.	13,33 kg (29.39 lbs)
	Pallet	120 x 100 x 220 cm (47 1/4" x 39 1/2" x 86")	3200 pcs.	1086 kg (2 394.22 lbs)

EXAMPLE OF SERIES ALU APPLICATION



TECHNICAL DATA SHEET

ALU 050-060

Non combustible pedestal ALU 50-60 mm (1 31/32" - 2 1/3")

BASIC INFORMATION

Product name	Non combustible pedestal ALU 50-60 mm (1 31/32" - 2 1/3")
Trade name	ALU 050-060
Product group	Adjustable pedestals - ALU series
Application	Terrace with tiles
Code	10992



FEATURES

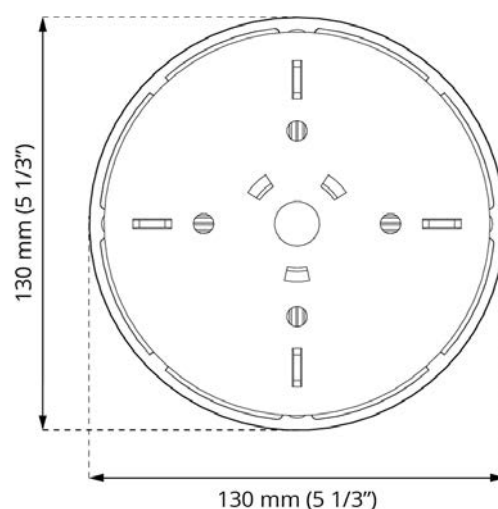
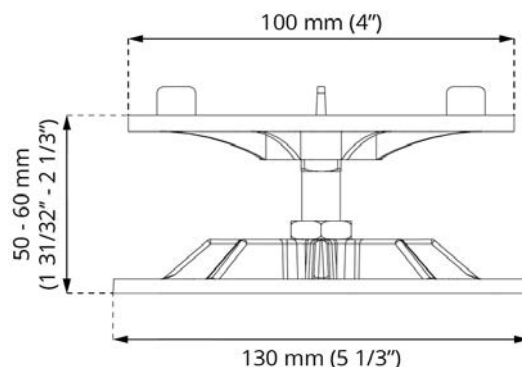
- Smooth height adjustment from 50 to 60 mm (from 1 31/32" to 2 1/3").
- Aluminum, fire-resistant safety pedestals, EURO A1 class.
- Built-in self-leveling function from 0 to 6%.
- High load capacity.
- Adapted to tiles/pavers.

DESCRIPTION

The ALU series has been specially designed for professional terraces that are built in facilities where higher fire resistance is required. It is used in projects with increased requirements. The durable aluminum construction provides high load capacity, allowing for the maintenance of large loads. The ALU series pedestals have a smooth adjustment function, which allows for achieving any height in the range of 40 to 200 mm (1 4/7" to 8"). Additionally, they have a built-in self-leveling function, allowing for achieving a horizontal terrace surface without the need for additional accessories on a slope of up to 6%. They are also resistant to loads and mechanical damage, making them ideal for professional applications.

PARAMETERS

Minimum height	50 mm (1 31/32")
Maximum height	60 mm (2 1/3")
Height adjustment type	Smooth height adjustment
Cap diameter	Ø 100 mm (78,5 cm ²) Ø 4" (12,17 in ²)
Base diameter	Ø 130 mm (132,7 cm ²) Ø 1 1/3" (20,57 in ²)
Tile gap width	3 mm (1/8")
Weight	0,327 kg 0.721 lbs
Load resistance	up to 2000 kg up to 4400 lbs
Operating temperature	-20°C; +65°C -4°F; +149°F
Color	Aluminum
Material	Aluminum



APPLICATION

- Terrace with tiles with improved fire resistance.

COMPONENTS

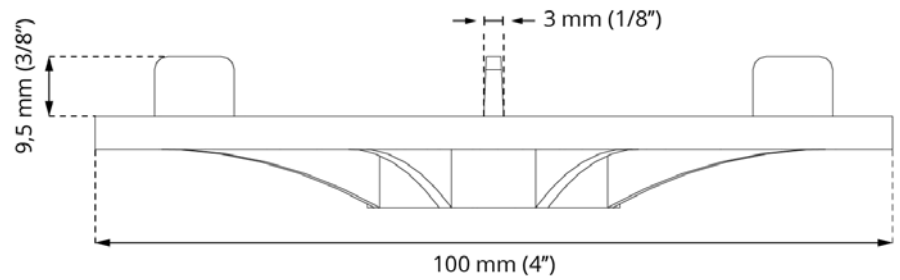
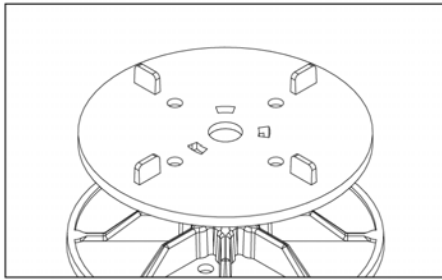
- The ALU 050-060 pedestal is composed of:
Base + Base screw nut + Low height locking nut + Screw + Head

FIRE RESISTANCE

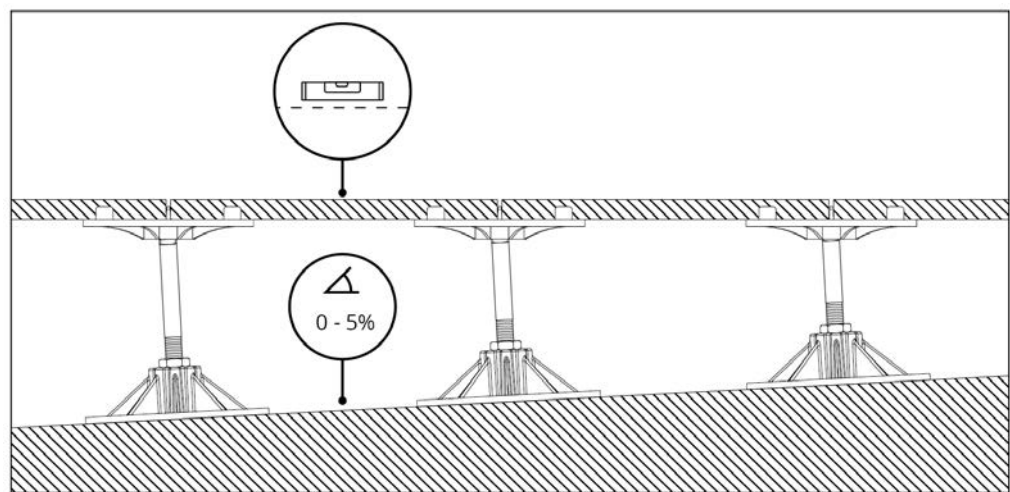
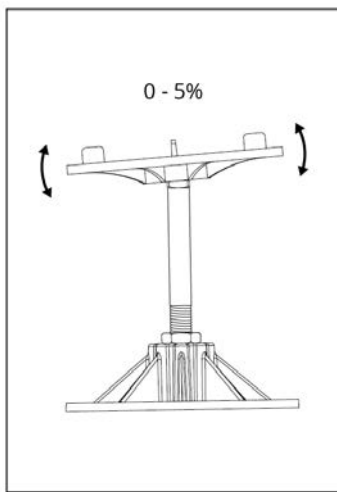
- The structure of the pedestals is made entirely of fireproof materials, safety class EURO A1.
- The pedestals have no plastic or rubber elements.



PEDESTAL HEAD



SELF LEVELLING



USAGE

ALU pedestals are designed for use with tiles/pavers. Made of five aluminum elements: base, high nut, low nut, screw, and cap. They have built-in 3 mm (1/8") gap spacers on the cap and the ability for smooth adjustment using a screw, which is locked in place by two nuts - in the base and counter. The screw also allows for self-leveling of the pedestal cap.

DATA LOGISTICS

Product	Type	Size	Quantity	Weight brutto
ALU 050-060	Carton box	30 x 50 x 20 cm (11 4/5" x 19 2/3" x 7 7/8")	40 pcs.	13,53 kg (29.83 lbs)
	Pallet	120 x 100 x 220 cm (47 1/4" x 39 1/2" x 86")	3200 pcs.	1102 kg (2 429.49 lbs)

EXAMPLE OF SERIES ALU APPLICATION



TECHNICAL DATA SHEET

ALU 060-075

Non combustible pedestal ALU 60-75 mm (2 1/3" - 2 15/16")

BASIC INFORMATION

Product name	Non combustible pedestal ALU 60-75 mm (2 1/3" - 2 15/16")
Trade name	ALU 060-075
Product group	Adjustable pedestals - ALU series
Application	Terrace with tiles
Code	10993



FEATURES

- Smooth height adjustment from 60 to 75 mm (from 2 1/3" to 2 15/16").
- Aluminum, fire-resistant safety pedestals, EURO A1 class.
- Built-in self-leveling function from 0 to 6%.
- High load capacity.
- Adapted to tiles/pavers.

DESCRIPTION

The ALU series has been specially designed for professional terraces that are built in facilities where higher fire resistance is required. It is used in projects with increased requirements. The durable aluminum construction provides high load capacity, allowing for the maintenance of large loads. The ALU series pedestals have a smooth adjustment function, which allows for achieving any height in the range of 40 to 200 mm (1 4/7" to 8"). Additionally, they have a built-in self-leveling function, allowing for achieving a horizontal terrace surface without the need for additional accessories on a slope of up to 6%. They are also resistant to loads and mechanical damage, making them ideal for professional applications.

PARAMETERS

Minimum height	60 mm (2 1/3")
Maximum height	75 mm (2 15/16")
Height adjustment type	Smooth height adjustment
Cap diameter	Ø 100 mm (78,5 cm ²) Ø 4" (12,17 in ²)
Base diameter	Ø 130 mm (132,7 cm ²) Ø 1 1/3" (20,57 in ²)
Tile gap width	3 mm (1/8")
Weight	0,374 kg 0.825 lbs
Load resistance	up to 2000 kg up to 4400 lbs
Operating temperature	-20°C; +65°C -4°F; +149°F
Color	Aluminum
Material	Aluminum

APPLICATION

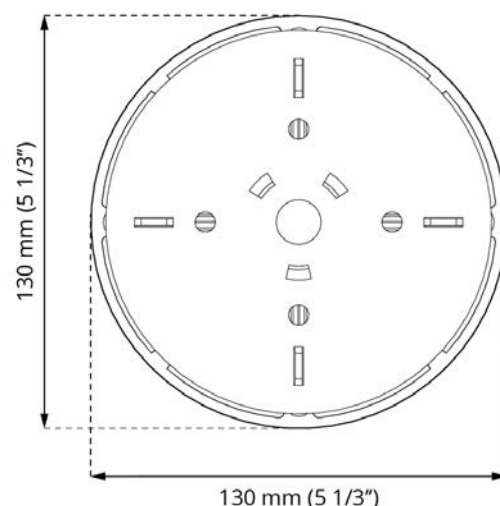
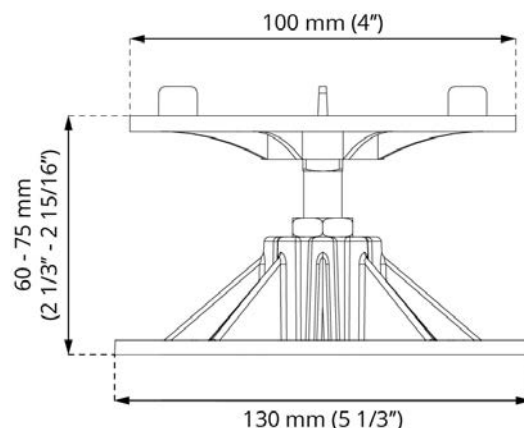
- Terrace with tiles with improved fire resistance.

COMPONENTS

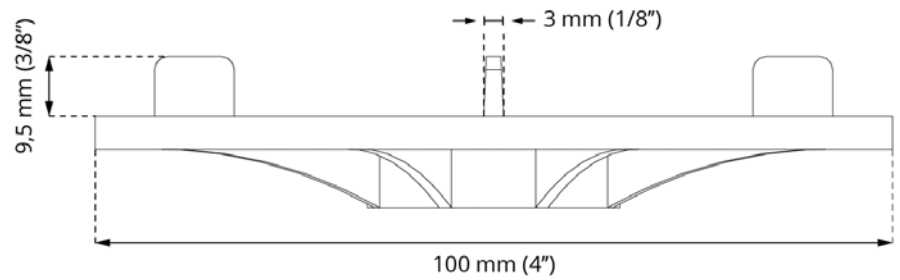
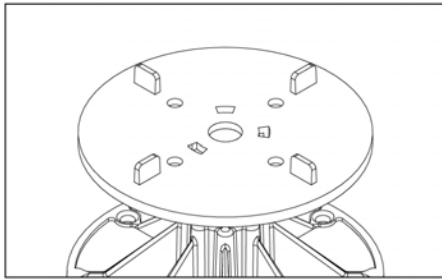
- The ALU 060-075 pedestal is composed of:
Base + Base screw nut + Low height locking nut + Screw + Head

FIRE RESISTANCE

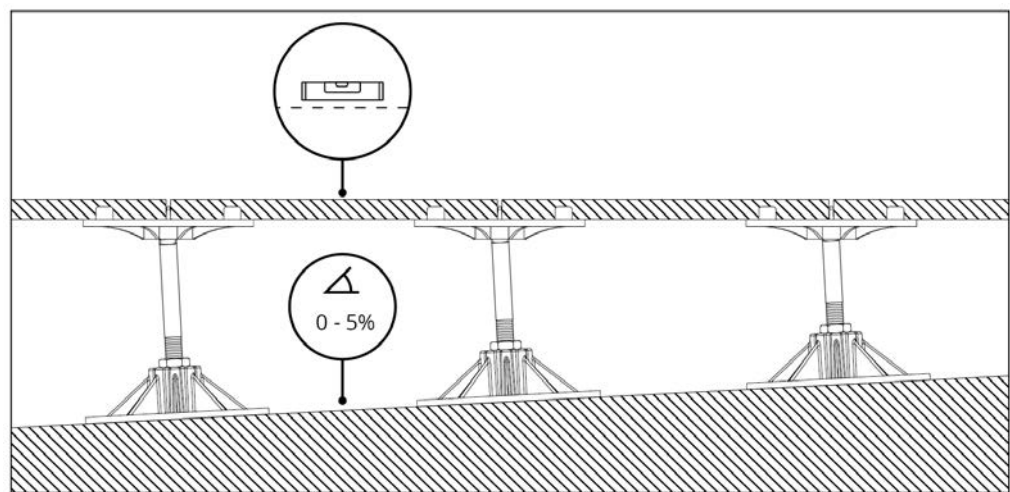
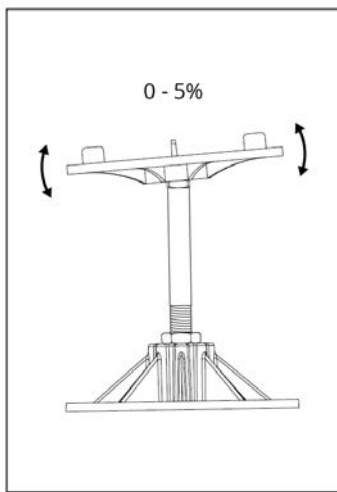
- The structure of the pedestals is made entirely of fireproof materials, safety class EURO A1.
- The pedestals have no plastic or rubber elements.



PEDESTAL HEAD



SELF LEVELLING



USAGE

ALU pedestals are designed for use with tiles/pavers. Made of five aluminum elements: base, high nut, low nut, screw, and cap. They have built-in 3 mm (1/8") gap spacers on the cap and the ability for smooth adjustment using a screw, which is locked in place by two nuts - in the base and counter. The screw also allows for self-leveling of the pedestal cap.

DATA LOGISTICS

Product	Type	Size	Quantity	Weight brutto
ALU 060-075	Carton box	30 x 50 x 20 cm (11 4/5" x 19 2/3" x 7 7/8")	30 pcs.	11,67 kg (25.73 lbs)
	Pallet	120 x 100 x 220 cm (47 1/4" x 39 1/2" x 86")	2400 pcs.	954 kg (2 103.21 lbs)

EXAMPLE OF SERIES ALU APPLICATION



TECHNICAL DATA SHEET

ALU 070-095

Non combustible pedestal ALU 70-95 mm (2 3/4" - 3 3/4")

BASIC INFORMATION

Product name	Non combustible pedestal ALU 70-95 mm (2 3/4" - 3 3/4")
Trade name	ALU 070-095
Product group	Adjustable pedestals - ALU series
Application	Terrace with tiles
Code	10994



FEATURES

- Smooth height adjustment from 70 to 95 mm (from 2 3/4" to 3 3/4").
- Aluminum, fire-resistant safety pedestals, EURO A1 class.
- Built-in self-leveling function from 0 to 6%.
- High load capacity.
- Adapted to tiles/pavers.

DESCRIPTION

The ALU series has been specially designed for professional terraces that are built in facilities where higher fire resistance is required. It is used in projects with increased requirements. The durable aluminum construction provides high load capacity, allowing for the maintenance of large loads. The ALU series pedestals have a smooth adjustment function, which allows for achieving any height in the range of 40 to 200 mm (1 4/7" to 8"). Additionally, they have a built-in self-leveling function, allowing for achieving a horizontal terrace surface without the need for additional accessories on a slope of up to 6%. They are also resistant to loads and mechanical damage, making them ideal for professional applications.

PARAMETERS

Minimum height	70 mm (2 3/4")
Maximum height	95 mm (3 3/4")
Height adjustment type	Smooth height adjustment
Cap diameter	Ø 100 mm (78,5 cm ²) Ø 4" (12,17 in ²)
Base diameter	Ø 130 mm (132,7 cm ²) Ø 1 1/3" (20,57 in ²)
Tile gap width	3 mm (1/8")
Weight	0,386 kg 0.851 lbs
Load resistance	up to 2000 kg up to 4400 lbs
Operating temperature	-20°C; +65°C -4°F; +149°F
Color	Aluminum
Material	Aluminum

APPLICATION

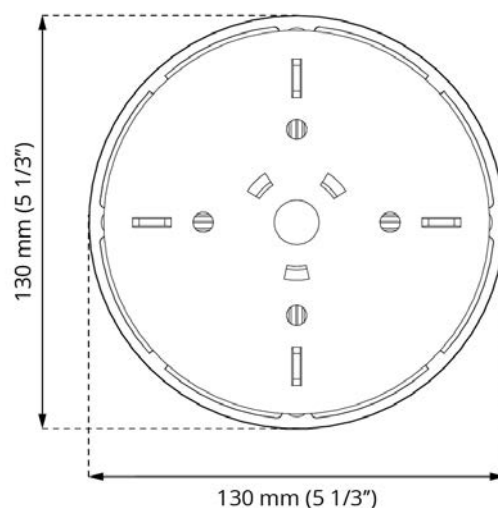
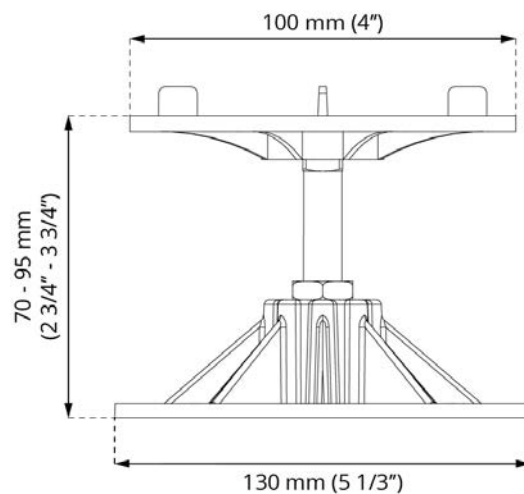
- Terrace with tiles with improved fire resistance.

COMPONENTS

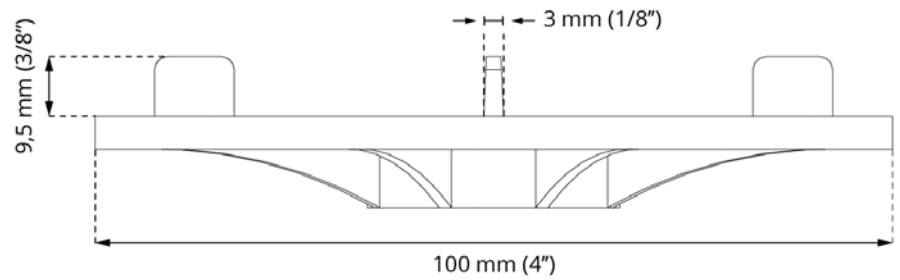
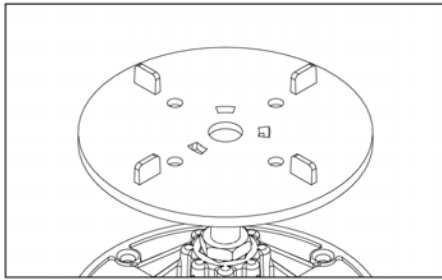
- The ALU 070-095 pedestal is composed of:
Base + Base screw nut + Low height locking nut + Screw + Head

FIRE RESISTANCE

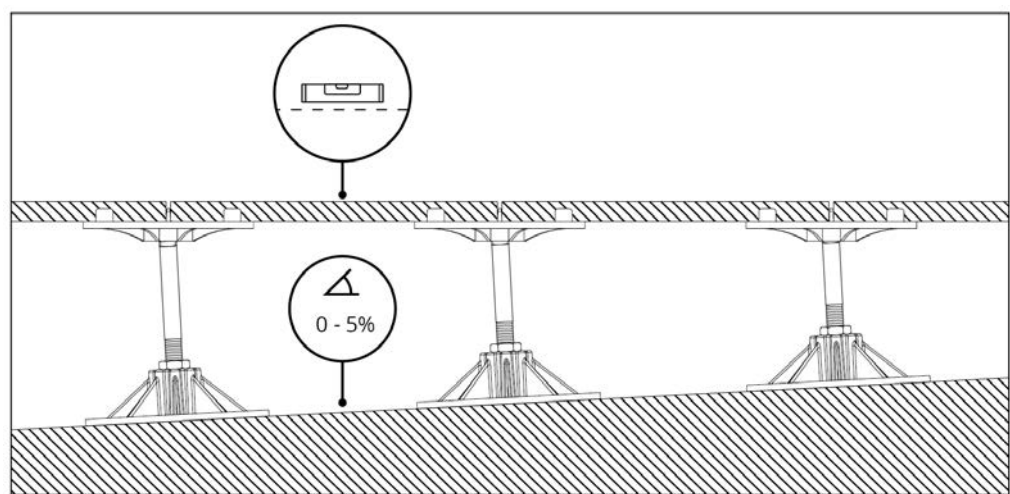
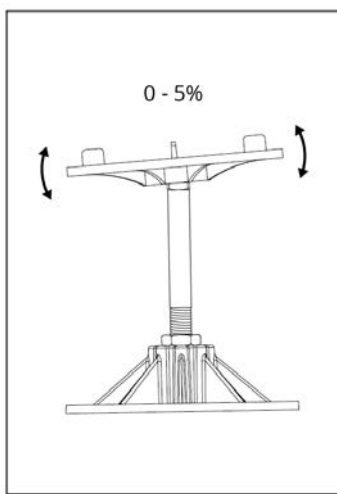
- The structure of the pedestals is made entirely of fireproof materials, safety class EURO A1.
- The pedestals have no plastic or rubber elements.



PEDESTAL HEAD



SELF LEVELLING



USAGE

ALU pedestals are designed for use with tiles/pavers. Made of five aluminum elements: base, high nut, low nut, screw, and cap. They have built-in 3 mm (1/8") gap spacers on the cap and the ability for smooth adjustment using a screw, which is locked in place by two nuts - in the base and counter. The screw also allows for self-leveling of the pedestal cap.

DATA LOGISTICS

Product	Type	Size	Quantity	Weight brutto
ALU 070-095	Carton box	30 x 50 x 20 cm (11 4/5" x 19 2/3" x 7 7/8")	30 pcs.	12,03 kg (26.52 lbs)
	Pallet	120 x 100 x 220 cm (47 1/4" x 39 1/2" x 86")	2400 pcs.	982 kg (2 164.94 lbs)

EXAMPLE OF SERIES ALU APPLICATION



TECHNICAL DATA SHEET

ALU 090-115

Non combustible pedestal ALU 90-115 mm (3 6/11" - 4 1/2")

BASIC INFORMATION

Product name	Non combustible pedestal ALU 90-115 mm (3 6/11" - 4 1/2")
Trade name	ALU 090-115
Product group	Adjustable pedestals - ALU series
Application	Terrace with tiles
Code	10995

FEATURES

- Smooth height adjustment from 90 to 115 mm (from 3 6/11" to 4 1/2").
- Aluminum, fire-resistant safety pedestals, EURO A1 class.
- Built-in self-leveling function from 0 to 6%.
- High load capacity.
- Adapted to tiles/pavers.

DESCRIPTION

The ALU series has been specially designed for professional terraces that are built in facilities where higher fire resistance is required. It is used in projects with increased requirements. The durable aluminum construction provides high load capacity, allowing for the maintenance of large loads. The ALU series pedestals have a smooth adjustment function, which allows for achieving any height in the range of 40 to 200 mm (1 4/7" to 8"). Additionally, they have a built-in self-leveling function, allowing for achieving a horizontal terrace surface without the need for additional accessories on a slope of up to 6%. They are also resistant to loads and mechanical damage, making them ideal for professional applications.



PARAMETERS

Minimum height	90 mm (3 6/11")
Maximum height	115 mm (4 1/2")
Height adjustment type	Smooth height adjustment
Cap diameter	Ø 100 mm (78,5 cm ²) Ø 4" (12,17 in ²)
Base diameter	Ø 130 mm (132,7 cm ²) Ø 1 1/3" (20,57 in ²)
Tile gap width	3 mm (1/8")
Weight	0,402 kg 0.886 lbs
Load resistance	up to 2000 kg up to 4400 lbs
Operating temperature	-20°C; +65°C -4°F; +149°F
Color	Aluminum
Material	Aluminum

APPLICATION

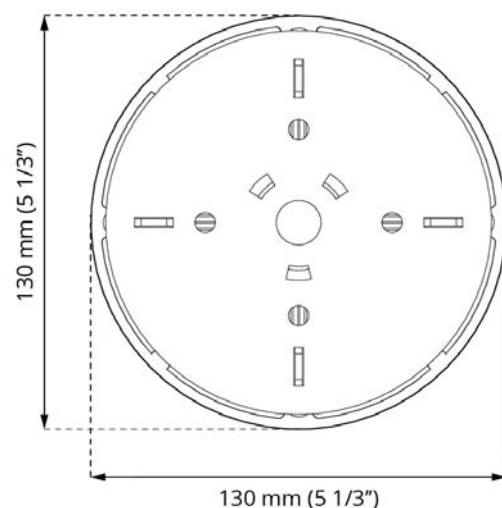
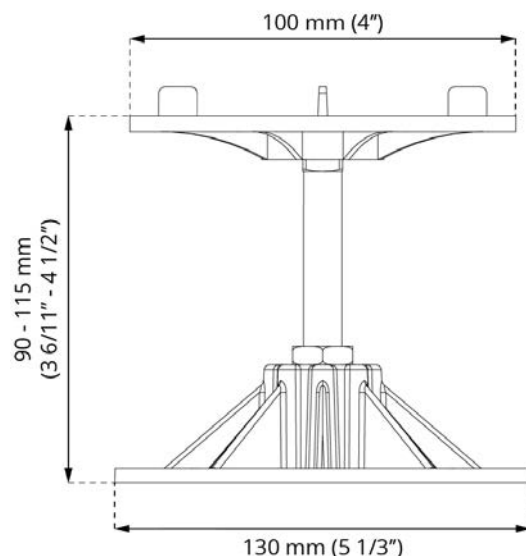
- Terrace with tiles with improved fire resistance.

COMPONENTS

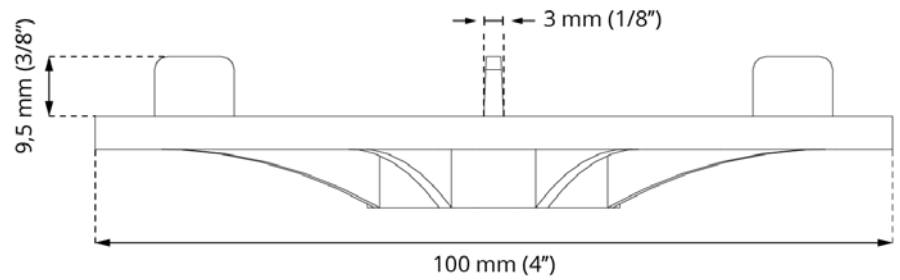
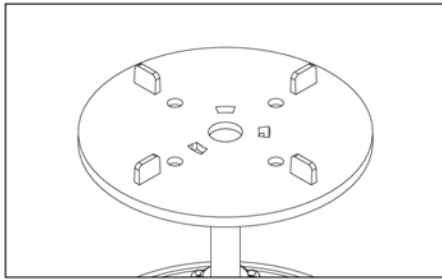
- The ALU 090-115 pedestal is composed of:
Base + Base screw nut + Low height locking nut + Screw + Head

FIRE RESISTANCE

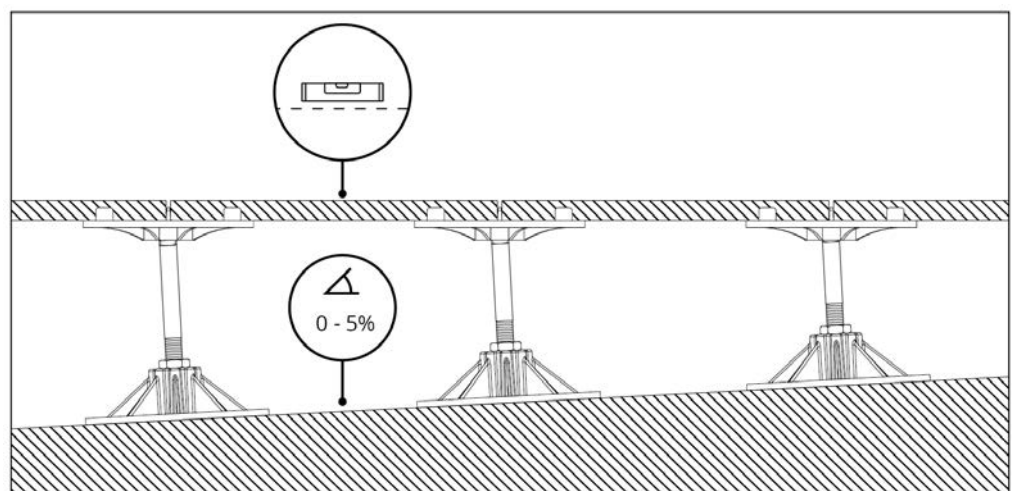
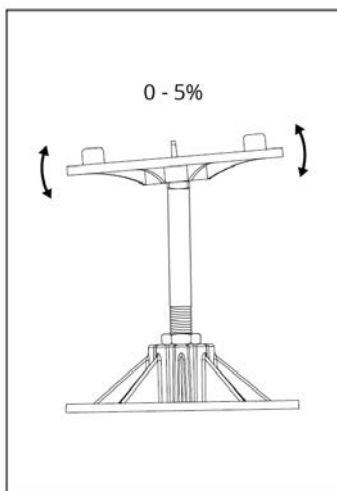
- The structure of the pedestals is made entirely of fireproof materials, safety class EURO A1.
- The pedestals have no plastic or rubber elements.



PEDESTAL HEAD



SELF LEVELLING



USAGE

ALU pedestals are designed for use with tiles/pavers. Made of five aluminum elements: base, high nut, low nut, screw, and cap. They have built-in 3 mm (1/8") gap spacers on the cap and the ability for smooth adjustment using a screw, which is locked in place by two nuts - in the base and counter. The screw also allows for self-leveling of the pedestal cap.

DATA LOGISTICS

Product	Type	Size	Quantity	Weight brutto
ALU 090-115	Carton box	30 x 50 x 20 cm (11 4/5" x 19 2/3" x 7 7/8")	30 pcs.	12,51 kg (27.58 lbs)
	Pallet	120 x 100 x 220 cm (47 1/4" x 39 1/2" x 86")	2400 pcs.	1021 kg (2 250.92 lbs)

EXAMPLE OF SERIES ALU APPLICATION



TECHNICAL DATA SHEET

ALU 110-135

Non combustible pedestal ALU 110-135 mm (4 1/3" - 5 1/3")

BASIC INFORMATION

Product name	Non combustible pedestal ALU 110-135 mm (4 1/3" - 5 1/3")
Trade name	ALU 110-135
Product group	Adjustable pedestals - ALU series
Application	Terrace with tiles
Code	10996

FEATURES

- Smooth height adjustment from 110 to 135 mm (from 4 1/3" to 5 1/3").
- Aluminum, fire-resistant safety pedestals, EURO A1 class.
- Built-in self-leveling function from 0 to 6%.
- High load capacity.
- Adapted to tiles/pavers.

DESCRIPTION

The ALU series has been specially designed for professional terraces that are built in facilities where higher fire resistance is required. It is used in projects with increased requirements. The durable aluminum construction provides high load capacity, allowing for the maintenance of large loads. The ALU series pedestals have a smooth adjustment function, which allows for achieving any height in the range of 40 to 200 mm (1 4/7" to 8"). Additionally, they have a built-in self-leveling function, allowing for achieving a horizontal terrace surface without the need for additional accessories on a slope of up to 6%. They are also resistant to loads and mechanical damage, making them ideal for professional applications.



PARAMETERS

Minimum height	110 mm (4 1/3")
Maximum height	135 mm (5 1/3")
Height adjustment type	Smooth height adjustment
Cap diameter	Ø 100 mm (78,5 cm ²) Ø 4" (12,17 in ²)
Base diameter	Ø 130 mm (132,7 cm ²) Ø 1 1/3" (20,57 in ²)
Tile gap width	3 mm (1/8")
Weight	0,417 kg 0.919 lbs
Load resistance	up to 2000 kg up to 4400 lbs
Operating temperature	-20°C; +65°C -4°F; +149°F
Color	Aluminum
Material	Aluminum

APPLICATION

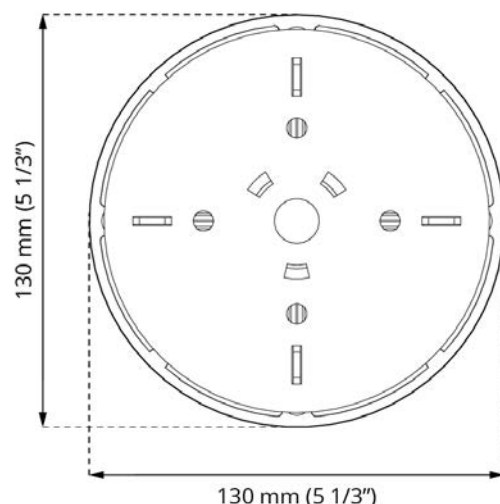
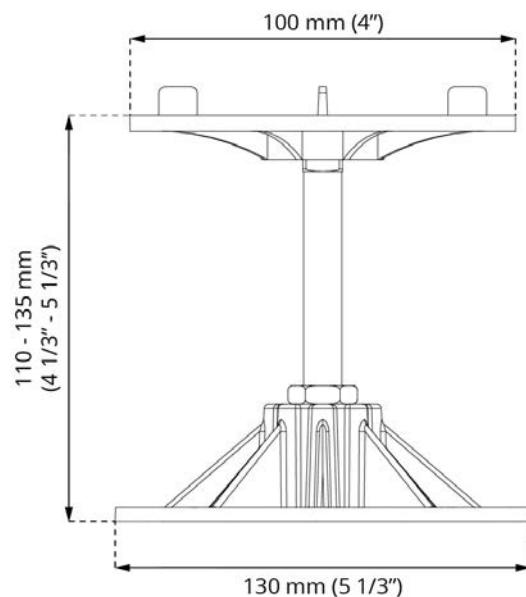
- Terrace with tiles with improved fire resistance.

COMPONENTS

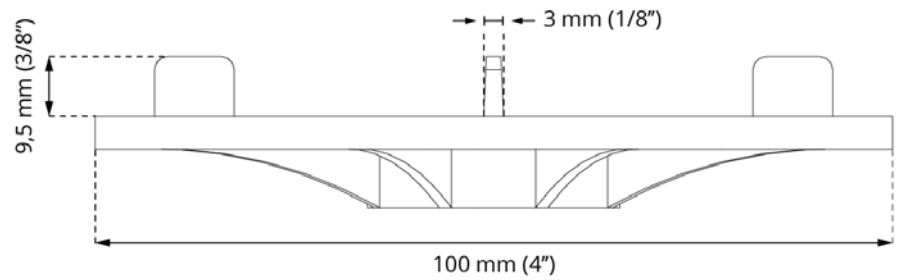
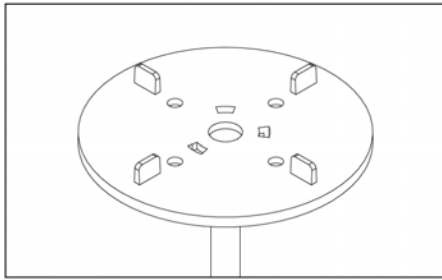
- The ALU 110-135 pedestal is composed of:
Base + Base screw nut + Low height locking nut + Screw + Head

FIRE RESISTANCE

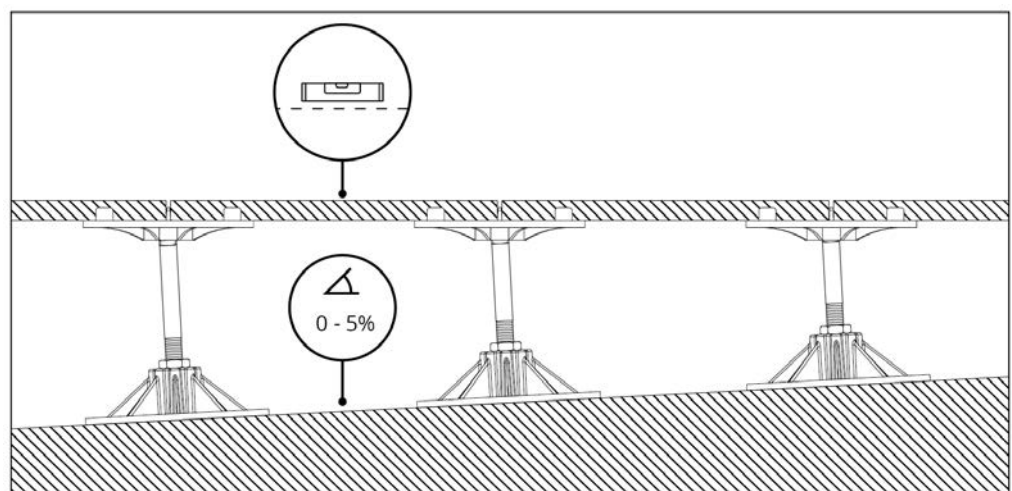
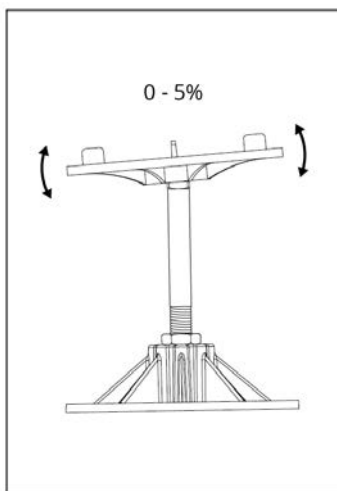
- The structure of the pedestals is made entirely of fireproof materials, safety class EURO A1.
- The pedestals have no plastic or rubber elements.



PEDESTAL HEAD



SELF LEVELLING



USAGE

ALU pedestals are designed for use with tiles/pavers. Made of five aluminum elements: base, high nut, low nut, screw, and cap. They have built-in 3 mm (1/8") gap spacers on the cap and the ability for smooth adjustment using a screw, which is locked in place by two nuts - in the base and counter. The screw also allows for self-leveling of the pedestal cap.

DATA LOGISTICS

Product	Type	Size	Quantity	Weight brutto
ALU 110-135	Carton box	30 x 50 x 20 cm (11 4/5" x 19 2/3" x 7 7/8")	30 pcs.	12,96 kg (28.57 lbs)
	Pallet	120 x 100 x 220 cm (47 1/4" x 39 1/2" x 86")	2400 pcs.	1057 kg (2 330.29 lbs)

EXAMPLE OF SERIES ALU APPLICATION



TECHNICAL DATA SHEET

ALU 130-155

Non combustible pedestal ALU 130-155 mm (5 1/8" - 6 1/9")

BASIC INFORMATION

Product name	Non combustible pedestal ALU 130-155 mm (5 1/8" - 6 1/9")
Trade name	ALU 130-155
Product group	Adjustable pedestals - ALU series
Application	Terrace with tiles
Code	10997

FEATURES

- Smooth height adjustment from 130 to 155 mm (from 5 1/8" to 6 1/9").
- Aluminum, fire-resistant safety pedestals, EURO A1 class.
- Built-in self-leveling function from 0 to 6%.
- High load capacity.
- Adapted to tiles/pavers.

DESCRIPTION

The ALU series has been specially designed for professional terraces that are built in facilities where higher fire resistance is required. It is used in projects with increased requirements. The durable aluminum construction provides high load capacity, allowing for the maintenance of large loads. The ALU series pedestals have a smooth adjustment function, which allows for achieving any height in the range of 40 to 200 mm (1 4/7" to 8"). Additionally, they have a built-in self-leveling function, allowing for achieving a horizontal terrace surface without the need for additional accessories on a slope of up to 6%. They are also resistant to loads and mechanical damage, making them ideal for professional applications.



PARAMETERS

Minimum height	130 mm (5 1/8")
Maximum height	155 mm (6 1/9")
Height adjustment type	Smooth height adjustment
Cap diameter	Ø 100 mm (78,5 cm ²) Ø 4" (12,17 in ²)
Base diameter	Ø 130 mm (132,7 cm ²) Ø 1 1/3" (20,57 in ²)
Tile gap width	3 mm (1/8")
Weight	0,432 kg 0.952 lbs
Load resistance	up to 2000 kg up to 4400 lbs
Operating temperature	-20°C; +65°C -4°F; +149°F
Color	Aluminum
Material	Aluminum

APPLICATION

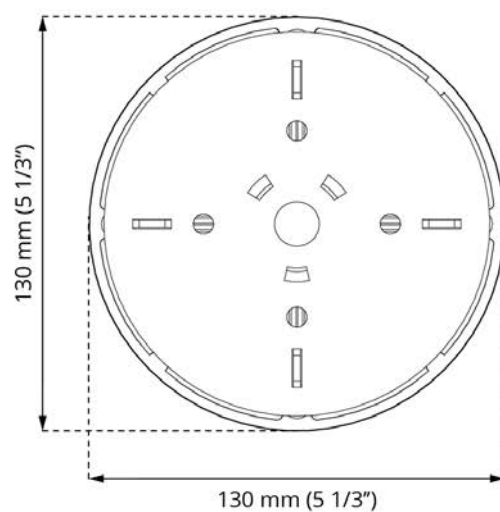
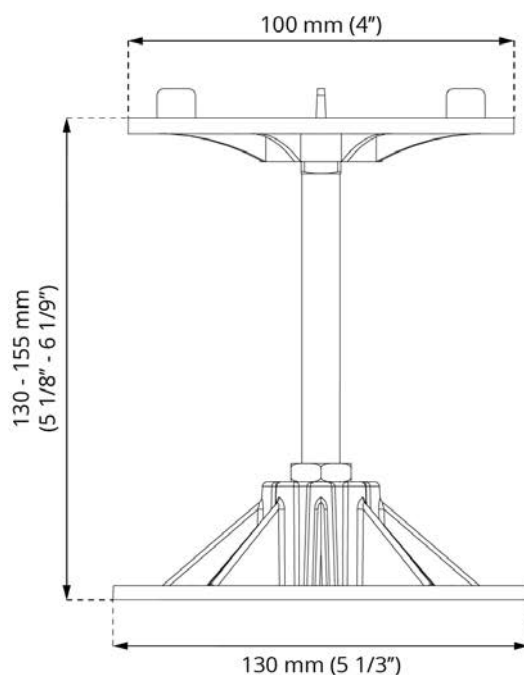
- Terrace with tiles with improved fire resistance.

COMPONENTS

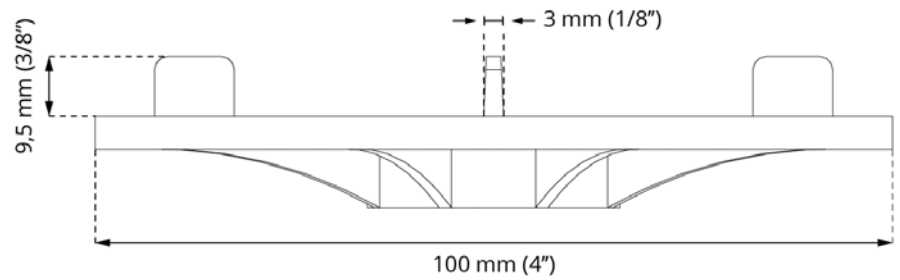
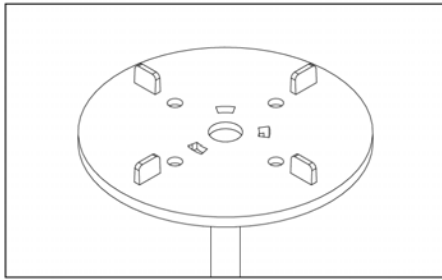
- The ALU 130-155 pedestal is composed of:
Base + Base screw nut + Low height locking nut + Screw + Head

FIRE RESISTANCE

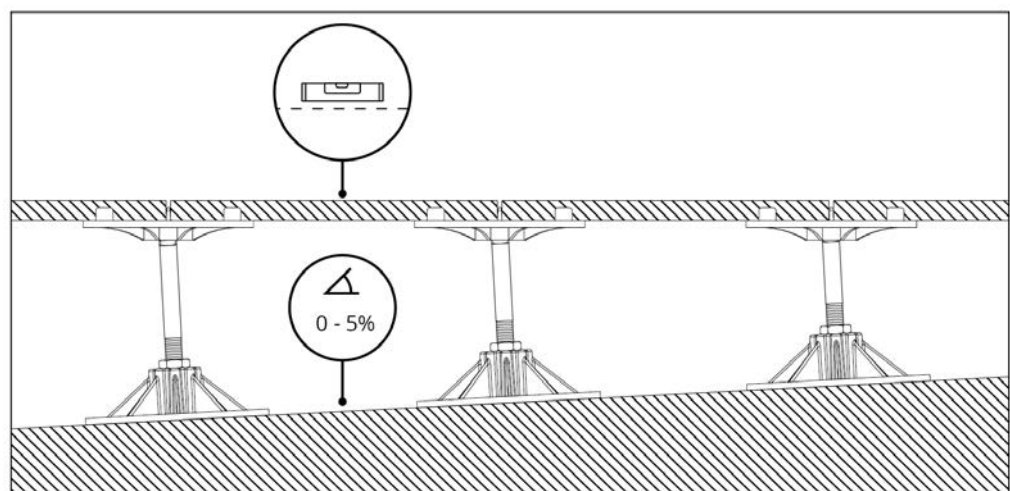
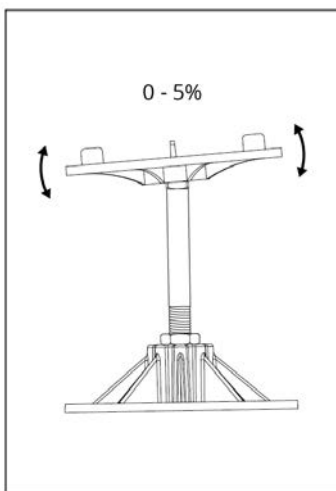
- The structure of the pedestals is made entirely of fireproof materials, safety class EURO A1.
- The pedestals have no plastic or rubber elements.



PEDESTAL HEAD



SELF LEVELLING



USAGE

ALU pedestals are designed for use with tiles/pavers. Made of five aluminum elements: base, high nut, low nut, screw, and cap. They have built-in 3 mm (1/8") gap spacers on the cap and the ability for smooth adjustment using a screw, which is locked in place by two nuts - in the base and counter. The screw also allows for self-leveling of the pedestal cap.

DATA LOGISTICS

Product	Type	Size	Quantity	Weight brutto
ALU 130-155	Carton box	30 x 50 x 20 cm (11 4/5" x 19 2/3" x 7 7/8")	30 pcs.	13,41 kg (29.56 lbs)
	Pallet	120 x 100 x 220 cm (47 1/4" x 39 1/2" x 86")	2400 pcs.	1093 kg (2 409.65 lbs)

EXAMPLE OF SERIES ALU APPLICATION



TECHNICAL DATA SHEET

ALU 150-175

Non combustible pedestal ALU 150-175 mm (5 9/10" - 7")

BASIC INFORMATION

Product name	Non combustible pedestal ALU 150-175 mm (5 9/10" - 7")
Trade name	ALU 150-175
Product group	Adjustable pedestals - ALU series
Application	Terrace with tiles
Code	10998

FEATURES

- Smooth height adjustment from 150 to 175 mm (from 5 9/10" to 7").
- Aluminum, fire-resistant safety pedestals, EURO A1 class.
- Built-in self-leveling function from 0 to 6%.
- High load capacity.
- Adapted to tiles/pavers.

DESCRIPTION

The ALU series has been specially designed for professional terraces that are built in facilities where higher fire resistance is required. It is used in projects with increased requirements. The durable aluminum construction provides high load capacity, allowing for the maintenance of large loads. The ALU series pedestals have a smooth adjustment function, which allows for achieving any height in the range of 40 to 200 mm (1 4/7" to 8"). Additionally, they have a built-in self-leveling function, allowing for achieving a horizontal terrace surface without the need for additional accessories on a slope of up to 6%. They are also resistant to loads and mechanical damage, making them ideal for professional applications.



PARAMETERS

Minimum height	150 mm (5 9/10")
Maximum height	175 mm (7")
Height adjustment type	Smooth height adjustment
Cap diameter	Ø 100 mm (78,5 cm ²) Ø 4" (12,17 in ²)
Base diameter	Ø 130 mm (132,7 cm ²) Ø 1 1/3" (20,57 in ²)
Tile gap width	3 mm (1/8")
Weight	0,450 kg 0.992 lbs
Load resistance	up to 2000 kg up to 4400 lbs
Operating temperature	-20°C; +65°C -4°F; +149°F
Color	Aluminum
Material	Aluminum

APPLICATION

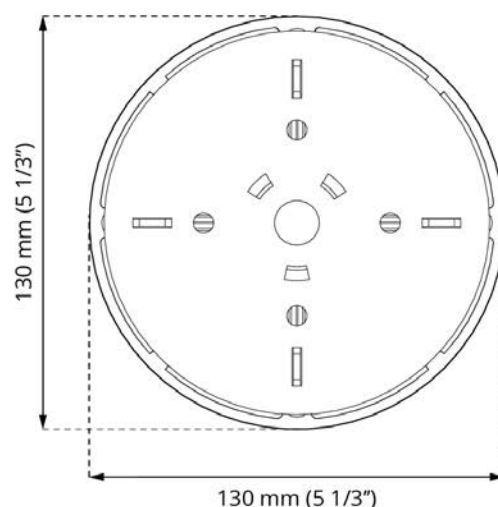
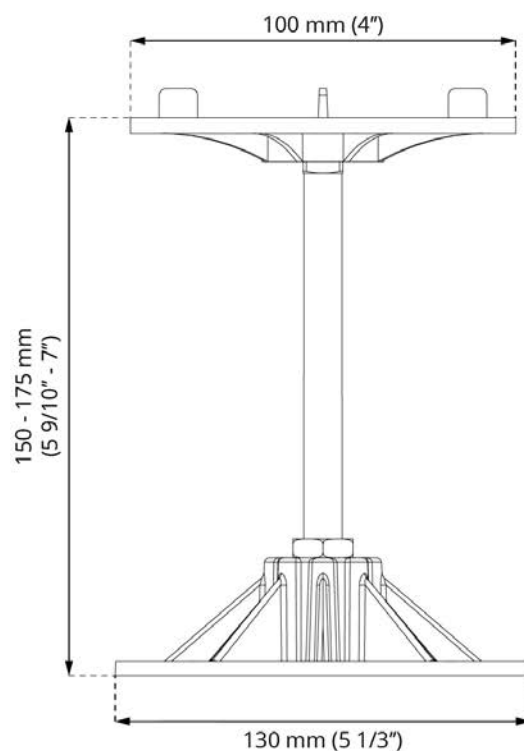
- Terrace with tiles with improved fire resistance.

COMPONENTS

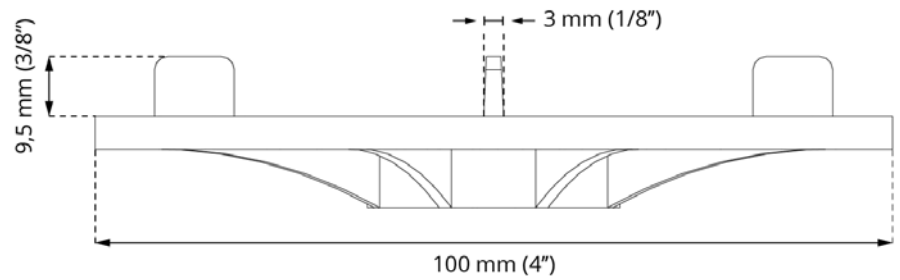
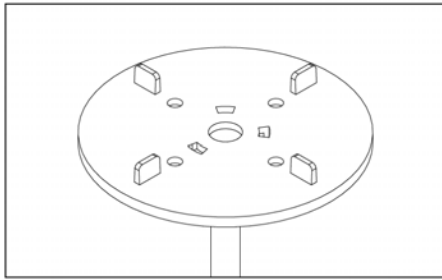
- The ALU 150-175 pedestal is composed of:
Base + Base screw nut + Low height locking nut + Screw + Head

FIRE RESISTANCE

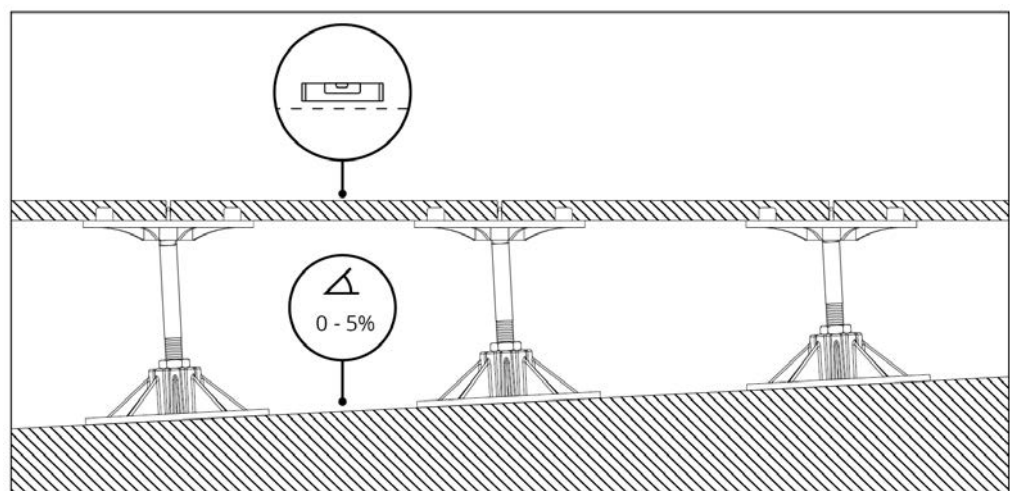
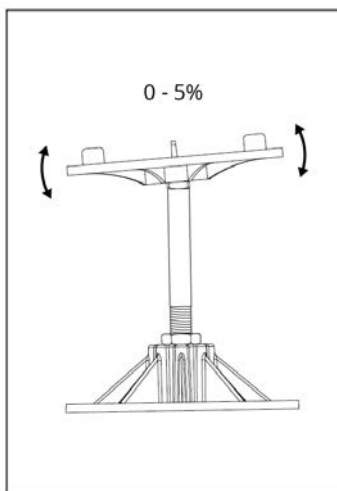
- The structure of the pedestals is made entirely of fireproof materials, safety class EURO A1.
- The pedestals have no plastic or rubber elements.



PEDESTAL HEAD



SELF LEVELLING



USAGE

ALU pedestals are designed for use with tiles/pavers. Made of five aluminum elements: base, high nut, low nut, screw, and cap. They have built-in 3 mm (1/8") gap spacers on the cap and the ability for smooth adjustment using a screw, which is locked in place by two nuts - in the base and counter. The screw also allows for self-leveling of the pedestal cap.

DATA LOGISTICS

Product	Type	Size	Quantity	Weight brutto
ALU 150-175	Carton box	30 x 50 x 20 cm (11 4/5" x 19 2/3" x 7 7/8")	25 pcs.	11,70 kg (25.79 lbs)
	Pallet	120 x 100 x 220 cm (47 1/4" x 39 1/2" x 86")	2000 pcs.	956 kg (2 107.62 lbs)

EXAMPLE OF SERIES ALU APPLICATION



TECHNICAL DATA SHEET

ALU 170-200

Non combustible pedestal ALU 170-200 mm (6 2/3" - 8")

BASIC INFORMATION

Product name	Non combustible pedestal ALU 170-200 mm (6 2/3" - 8")
Trade name	ALU 170-200
Product group	Adjustable pedestals - ALU series
Application	Terrace with tiles
Code	10999

FEATURES

- Smooth height adjustment from 170 to 200 mm (from 6 2/3" to 8").
- Aluminum, fire-resistant safety pedestals, EURO A1 class.
- Built-in self-leveling function from 0 to 6%.
- High load capacity.
- Adapted to tiles/pavers.

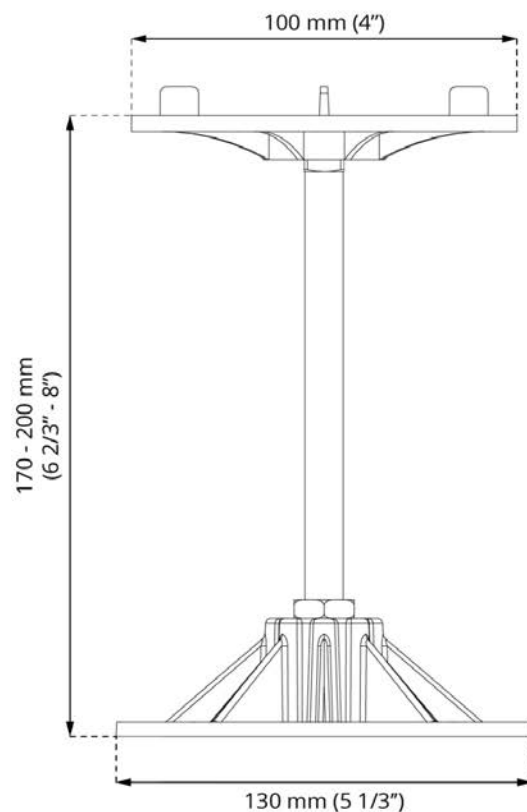
DESCRIPTION

The ALU series has been specially designed for professional terraces that are built in facilities where higher fire resistance is required. It is used in projects with increased requirements. The durable aluminum construction provides high load capacity, allowing for the maintenance of large loads. The ALU series pedestals have a smooth adjustment function, which allows for achieving any height in the range of 40 to 200 mm (1 4/7" to 8"). Additionally, they have a built-in self-leveling function, allowing for achieving a horizontal terrace surface without the need for additional accessories on a slope of up to 6%. They are also resistant to loads and mechanical damage, making them ideal for professional applications.



PARAMETERS

Minimum height	170 mm (6 2/3")
Maximum height	200 mm (8")
Height adjustment type	Smooth height adjustment
Cap diameter	Ø 100 mm (78,5 cm ²) Ø 4" (12,17 in ²)
Base diameter	Ø 130 mm (132,7 cm ²) Ø 1 1/3" (20,57 in ²)
Tile gap width	3 mm (1/8")
Weight	0,457 kg 1.007 lbs
Load resistance	up to 2000 kg up to 4400 lbs
Operating temperature	-20°C; +65°C -4°F; +149°F
Color	Aluminum
Material	Aluminum



APPLICATION

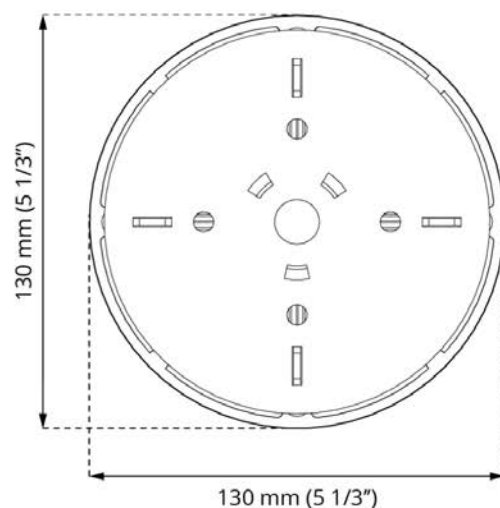
- Terrace with tiles with improved fire resistance.

COMPONENTS

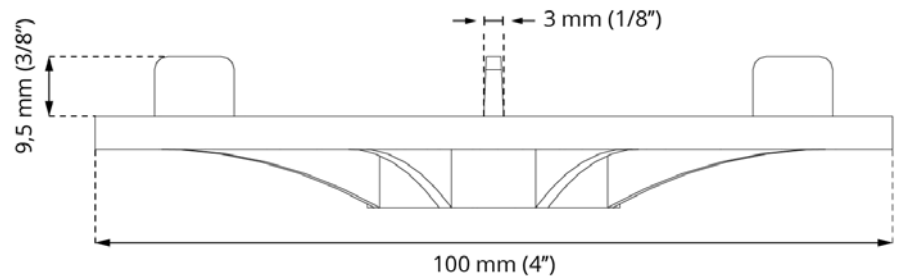
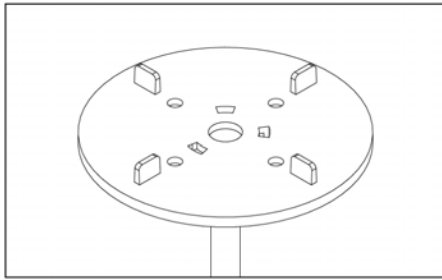
- The ALU 170-200 pedestal is composed of:
Base + Base screw nut + Low height locking nut + Screw + Head

FIRE RESISTANCE

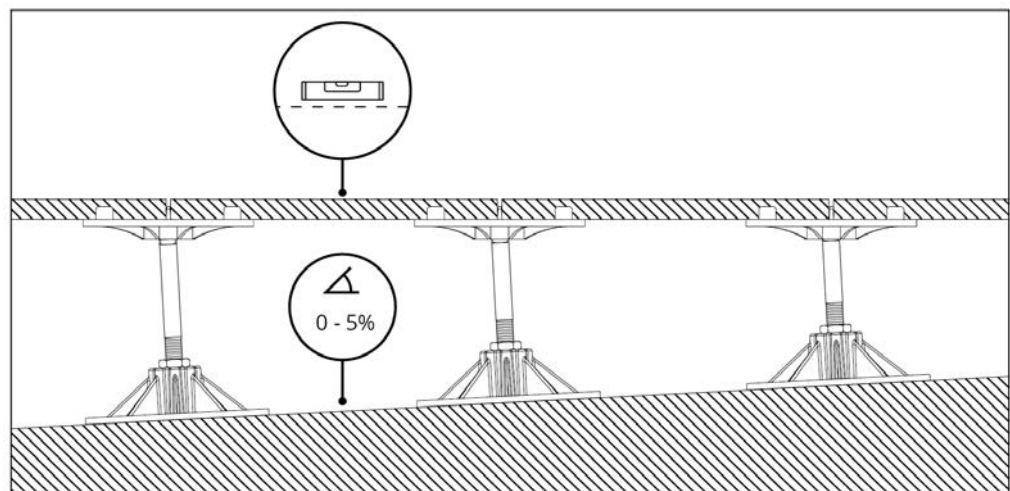
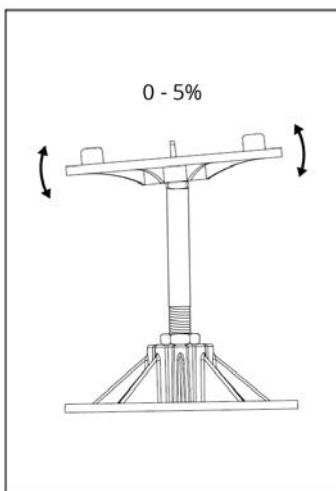
- The structure of the pedestals is made entirely of fireproof materials, safety class EURO A1.
- The pedestals have no plastic or rubber elements.



PEDESTAL HEAD



SELF LEVELLING



USAGE

ALU pedestals are designed for use with tiles/pavers. Made of five aluminum elements: base, high nut, low nut, screw, and cap. They have built-in 3 mm (1/8") gap spacers on the cap and the ability for smooth adjustment using a screw, which is locked in place by two nuts - in the base and counter. The screw also allows for self-leveling of the pedestal cap.

DATA LOGISTICS

Product	Type	Size	Quantity	Weight brutto
ALU 170-200	Carton box	30 x 50 x 20 cm (11 4/5" x 19 2/3" x 7 7/8")	25 pcs.	11,88 kg (26.19 lbs)
	Pallet	120 x 100 x 220 cm (47 1/4" x 39 1/2" x 86")	2000 pcs.	970 kg (2 138.48 lbs)

EXAMPLE OF SERIES ALU APPLICATION

